

AD2-5

77 x 35 x 90 mm

Universal Refrigeration Controller



Main features

- Defrosts at regular intervals
- Optional synchronized defrost start and termination with master-slave connection
- Selectable NTC10K or PTC input
- Universal 115-230Vac power supply
- FLEXICOLD function for energy saving or alternative setpoint
- Optional control of a second compressor or evaporator
- Excellent evaporator fan control
- Temperature, door open, condenser high temperature/pressure alarms
- Light and standby control (On/Off)
- Connectivity to LAE supervisory systems

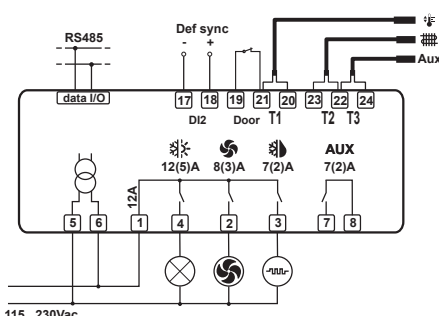
Applications

Plug-in cabinets, supermarket display cases, cold stores, control panels, upright fridges and freezers, refrigerated tables.

AD2-5 series

Functions		B03W-BG	C14W-AG	C34W-BG
Temperature inputs	Thermostat	•	•	•
	Evaporator	•	•	•
	Auxiliary		•	•
Door switch input	Voltage free contact	•	•	•
Digital inputs	Voltage free contact		•	
	12, 24Vac voltage			
	Defrost synchronisation			•
Outputs	Thermostat	•	•	•
	Evaporator fans	•	•	•
	Defrost	•	•	•
	Auxiliary		•	•
Power supply	115-230Vac	•	•	•
	12Vac/dc			
Serial port	TTL serial port		•	
	RS-485 serial port	•		•
Keypad	Generic	•	•	•
	With light button			

- › All models come with an alarm buzzer.
- › All models are fitted with detachable screw terminals.
- › On request, the AD2-5 is also available with gasket for a better protection between bezel and metal panel.
- › In order to know more options available for the models, please consult LAE or our local dealer.



Technical Data

Control Range	-50÷120°C, -55÷240°F
Resolution	0.1 / 1 °C; °F
Accuracy	NTC10K: $\pm 0.3^{\circ}\text{C}$ (-40.0÷70.0°C) PTC1000: $\pm 0.5^{\circ}\text{C}$ (-50÷120°C)
Sensor type	Selectable NTC10K standard mod. SN4B20P1/P2/P3 or PTC1000
Power supply	115÷230V~ ±10% 50÷60Hz 3W
Front protection	IP55
Panel cut-out	71 x 29 mm (W x H)
Ambient temperature	-10÷50°C