

# VALVES & ACCESSORIES



*Our quality and our commitment  
for environment safeguarding at  
your service since 1967*



ED.21/2018

## NATURAL AND SYNTHETIC REFRIGERANTS

## INDICE / SOMMARIO

Modulo per offerta speciale / <i>Form for special offer</i>	Pag.3
Valvole Rotalock / <i>Rotalock valves</i>	Da pag.4 a 19
Valvole O-Ring / <i>O-Ring Valves</i>	Pag.20
Valvole NPT / <i>NPT Valves</i>	Pag.21
Valvole di Scambio / <i>Exchange valves</i>	Pag.22-25
Distributori multidirezionali / <i>Multi-directions distributors</i>	Da pag.26 a 29
Adattatori Rotalock a Saldare / <i>Soldering adapter Rotalock</i>	Da pag.30 a 37
Raccordi / <i>Fittings</i>	Pag.38-40
Guarnizioni e Tappi - <i>Gaskets and closed plugs</i>	Pag.41

Nota: Per informazioni sulla tipologia "Valvole a Saldare", consultare il catalogo generale o eseguire la richiesta dello stesso visitando il nostro sito Web (<http://www.frigomec.com>).

Per richieste speciali contattare l'ufficio tecnico.

**Trattamenti galvanici su richiesta:** RAMATURA.

*Note: For information concerning Welding valves, please consult our general catalogue or make a request for the catalogue, visiting our Web site (<http://www.frigomec.com/eng/>).*

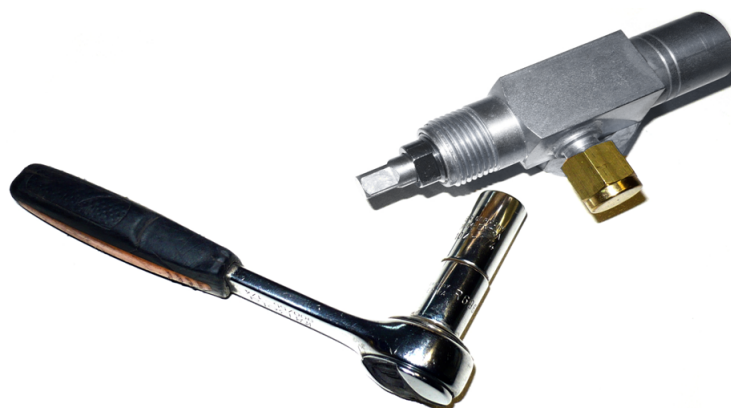
*For special request please contact the technical department.*

**Galvanic treatment on request:** COPPERING .

DATI DI PROGETTO			
PRESSIONE DI PROVA PT (45*1,43)=64,35 bar			
GRUPPO FLUIDI 2 sec. D.2014/68/UE			
Temp.D'esercizio TS °C	-10/+140°C	-10/-40°C	-40/-60°C
Pressione D'esercizio PS bar	45 bar	33 bar	11 bar
Requisiti 2014/68/UE (DGRL / PED) EN 12284			

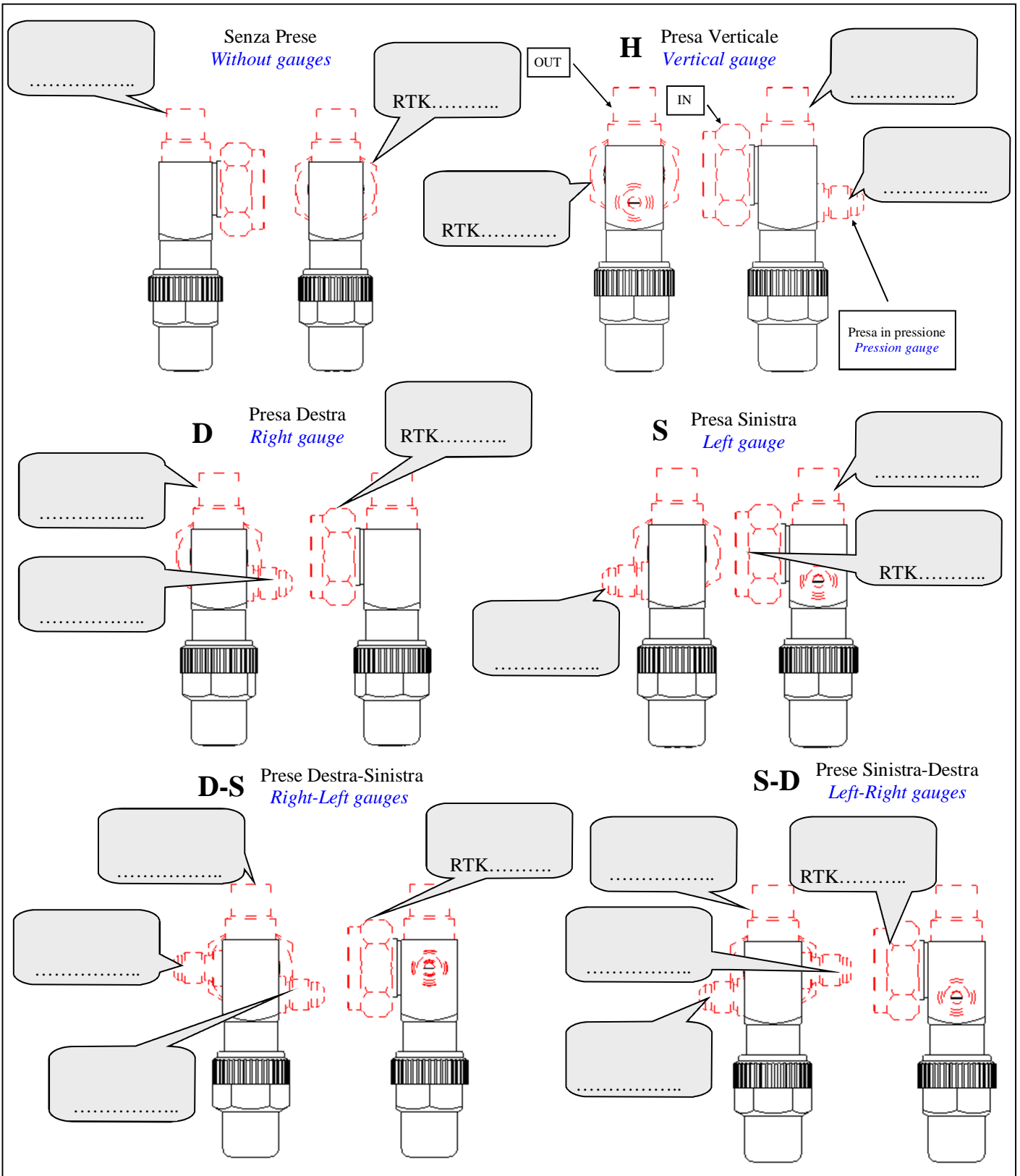
Consigliamo l'utilizzo di una chiave specifica, come da figura.

*We suggest the use of a specific spanner, as per the picture.*



Raccomandazioni per le coppie di serraggio degli steli valvola <i>Advices for tightening up torques of valve stems</i>		
Corpo / <i>Body</i>	□ 20	12÷25 Nm
Corpo / <i>Body</i>	□ 22	15÷25 Nm
Corpo / <i>Body</i>	□ 28	25÷35 Nm
Corpo / <i>Body</i>	□ 35	25÷40 Nm
Corpo / <i>Body</i>	□ 40	30÷45 Nm
Corpo / <i>Body</i>	□ 50	30÷50 Nm





L'attacco in entrata Rotalock può essere **personalizzato**.  
Modulo di richiesta per modelli speciali non a catalogo con attacco in entrata Rotalock. Compilare i campi del modello scelto con le sigle in esempio o altre preferenze e inviarlo a mezzo **fax** o **email**.

**Esempi di sigle per il riempimento dei campi:**

- RTK**(Rotalock-ansi)= (Es. RTK 1"-1/4)
- ODS** = (Es. ODS 22 o ODS 7/8")
- SAE/FLARE** = (Es. SAE/FLARE 1/4")
- O-Ring**= (Es. O.R.F.S. 3/8" Type A) vedi pag.20
- NPT** = (Es. NPT 1/4")
- GAS ISO228** oppure **ISO 7-1**=(Es. 3/8"GAS ISO228)

The Rotalock connection can be customised.  
Module to enquire about special models of valves with Rotalock connection, not present on our catalogue. Please fill in the fields of the chosen valve model, using the following tags or indicating your requirements. Send us the module by fax or email.

**Example of tags to be used in the above fields:**

- RTK**(Rotalock-ansi)= (Ex. RTK 1"-1/4)
- ODS** = (Ex. ODS 22 or ODS 7/8")
- SAE/FLARE** = (Ex. SAE/FLARE 1/4")
- O-Ring**= (Ex. O.R.F.S. 3/8" Type A) see page 20
- NPT** = (Ex. NPT 1/4")
- GAS ISO228** or **ISO 7-1**=(Ex. 3/8"GAS ISO228)

La ditta allo scopo di migliorare la propria produzione si riserva il diritto di apportare modifiche senza preavviso / The company to improve production reserves the right of modifying without notice.

Valvole Rotalock Flare/Sae  
con presa Verticale o Destra



Rotalock Valves Flare/Sae  
with Vertical gauge or Right gauge

**Tappo di tenuta in ottone.**  
*Sealing brass plug*

**È POSSIBILE FARE RICHIESTE SPECIALI / SPECIAL REQUEST ARE POSSIBLE**

	TIPO/TYPE	ATTACCO ØR CON- NECTION ØR	ØD FLARE-SAE	ØF FLARE-SAE	A	B	C	G	∇
ART.4 PAR.3	R011/T1/H	ROTALOCK 1"	1/4"	1/4"	30	97	20	50	20
	R011/T2/H	ROTALOCK 1"	3/8"	1/4"	30	97	20	50	20
	R011/T3/H	ROTALOCK 1"	1/2"	1/4"	31	98	20	50	20
	R011/T4/H	ROTALOCK 1"	5/8"	1/4"	35	107	20	50	20
	R011/T5/H	ROTALOCK 1"	3/4"	1/4"	39	111	21	32	22
	R012/T4/H	ROTALOCK 1-1/4"	5/8"	1/4"	44	116	22	53	22
	R012/T5/H	ROTALOCK 1-1/4"	3/4"	1/4"	44	120	22	53	22

**Tappo di tenuta in ottone.**  
*Sealing brass plug*

**È POSSIBILE FARE RICHIESTE SPECIALI / SPECIAL REQUEST ARE POSSIBLE**

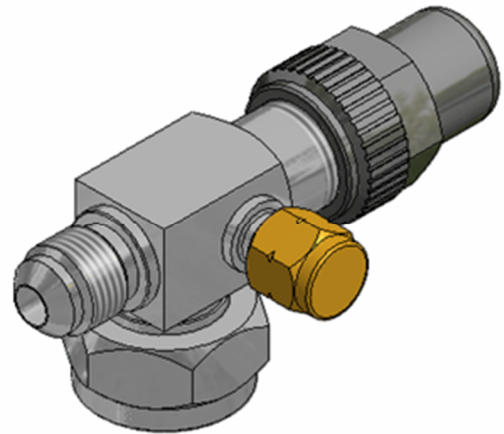
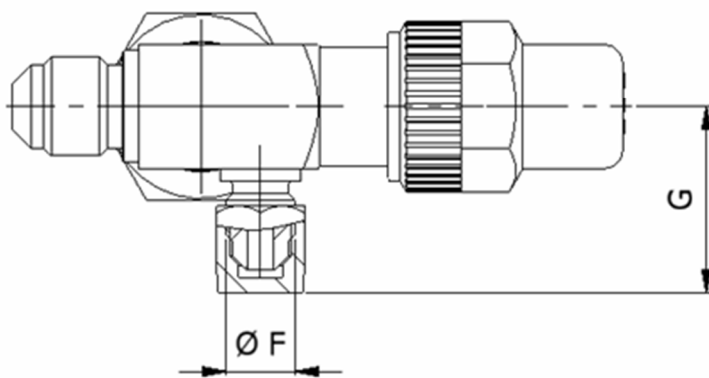
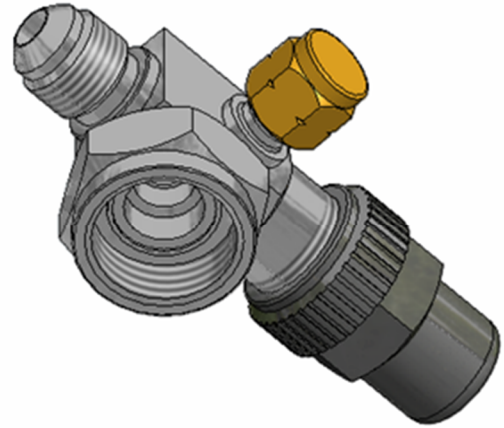
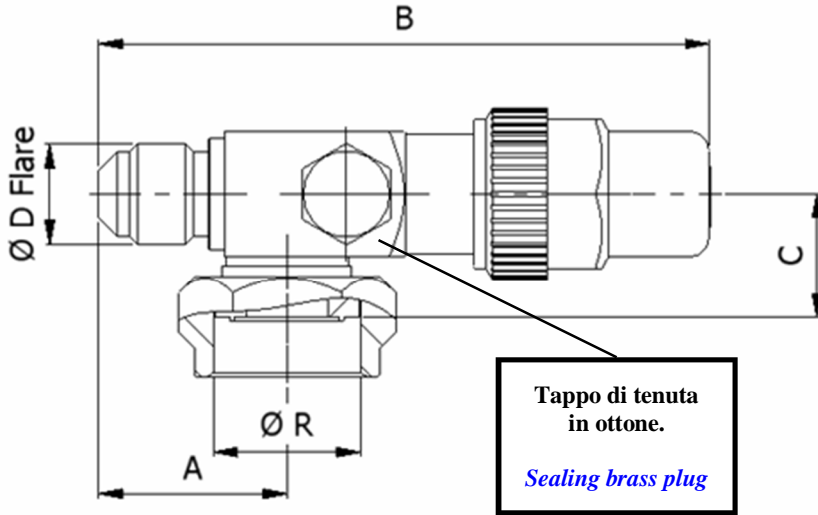
	TIPO/TYPE	ATTACCO ØR CON- NECTION ØR	ØD FLARE-SAE	ØF FLARE-SAE	A	B	C	G	∇
ART.4 PAR.3	R011/T1/D	ROTALOCK 1"	1/4"	1/4"	30	97	20	30	20
	R011/T2/D	ROTALOCK 1"	3/8"	1/4"	30	97	20	30	20
	R011/T3/D	ROTALOCK 1"	1/2"	1/4"	31	98	20	30	20
	R011/T4/D	ROTALOCK 1"	5/8"	1/4"	35	107	20	30	20
	R011/T5/D	ROTALOCK 1"	3/4"	1/4"	39	111	21	32	22
	R012/T5/D	ROTALOCK 1-1/4"	3/4"	1/4"	44	113	21	32	22

Applicazioni per refrigerazione e aria condizionata / *Application for refrigeration and air conditioning*

Prodotti secondo - Direttiva PED 2014/68/UE . / *Products according to - 2014/68/EU Directive PED.*

**Tattamento antiossidante di Nichelatura / *Anti-oxidatio Nickel treatment.***

La ditta allo scopo di migliorare la propria produzione si riserva il diritto di apportare modifiche senza preavviso / The company to improve production reserves the right of modifying without notice.



È POSSIBILE FARE RICHIESTE  
SPECIALI /  
SPECIAL REQUEST ARE  
POSSIBLE

	TIPO/TYPE	ATTACCO ØR CON- NECTION ØR	ØD FLARE-SAE	ØF FLARE-SAE	A	B	C	G	□
ART.4 PAR.3	R010/T2/S	ROTALOCK 3/4"	3/8"	1/4"	30	97	19	30	20
	R011/T1/S	ROTALOCK 1"	1/4"	1/4"	30	97	20	30	20
	R011/T2/S	ROTALOCK 1"	3/8"	1/4"	30	97	20	30	20
	R011/T3/S	ROTALOCK 1"	1/2"	1/4"	31	98	20	30	20
	R011/T4/S	ROTALOCK 1"	5/8"	1/4"	35	107	20	30	20
	R011/T5/S	ROTALOCK 1"	3/4"	1/4"	39	111	21	32	22
	R012/T5/S	ROTALOCK 1-1/4"	3/4"	1/4"	44	113	21	32	22

Applicazioni per refrigerazione e aria condizionata / *Application for refrigeration and air conditioning*

Prodotti secondo - Direttiva PED 2014/68/UE . / *Products according to - 2014/68/EU Directive PED.*

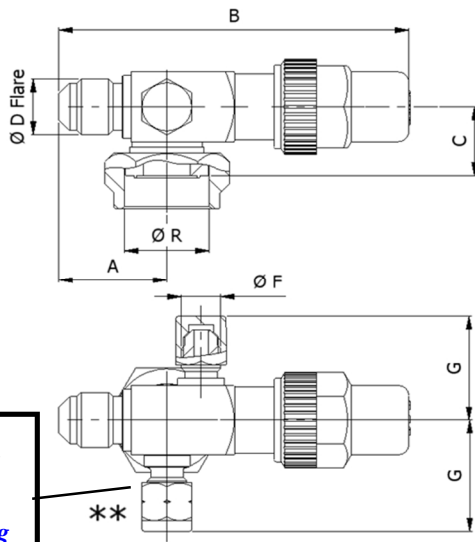
**Tattamento antiossidante di Nichelatura / *Anti-oxidatio Nickel treatment.***

La ditta allo scopo di migliorare la propria produzione si riserva il diritto di apportare modifiche senza preavviso / The company to improve production reserves the right of modifying without notice.

Valvole Rotalock Flare/Sae  
con presa Destra/Sinistra

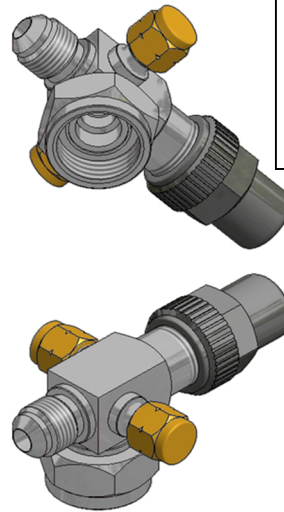


Rotalock Valves Flare/Sae  
with Right/Left gauge

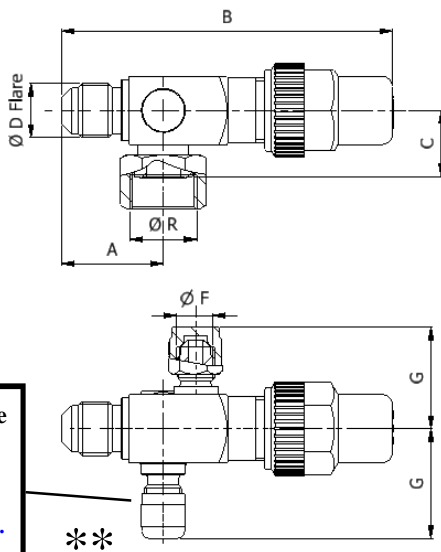


È POSSIBILE FARE RICHIESTE SPECIALI /  
SPECIAL REQUEST ARE POSSIBLE

VALVOLE FORNITE SENZA MECCANISMO SCHRADER /  
VALVES SUPPLIED WITHOUT MECHANISM SCHRADER

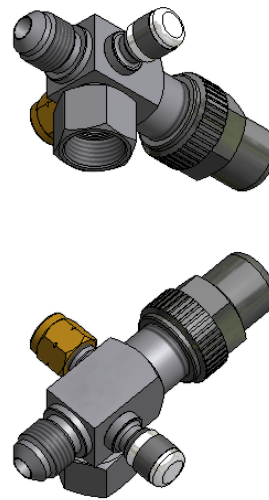


	TIPO/TYPE	ATTACCO ØR CONNECTION ØR	ØD FLARE-SAE	ØF FLARE-SAE	A	B	C	G	∇
ART.4 PAR.3	R021/T2/D-S	ROVALOCK 1"	3/8"	1/4"	30	97	20	31	20
	R021/T3/D-S	ROVALOCK 1"	1/2"	1/4"	31	98	20	31	20
	R021/T4/D-S	ROVALOCK 1"	5/8"	1/4"	36	108	20	31	20
	R021/T5/D-S	ROVALOCK 1"	3/4"	1/4"	39	111	21	32	22
	R022/T5/D-S	ROVALOCK 1-1/4"	3/4"	1/4"	44	111	22	32	22



È POSSIBILE FARE RICHIESTE SPECIALI /  
SPECIAL REQUEST ARE POSSIBLE

VALVOLE FORNITE SENZA MECCANISMO SCHRADER /  
VALVES SUPPLIED WITHOUT MECHANISM SCHRADER



	TIPO/TYPE	ATTACCO ØR CONNECTION ØR	ØD FLARE-SAE	ØF FLARE-SAE	A	B	C	G	∇
ART.4 PAR.3	R031/T2/D-S/SR	ROVALOCK 1"	3/8"	1/4"	30	97	20	31	20
	R031/T3/D-S/SR	ROVALOCK 1"	1/2"	1/4"	31	98	20	31	20
	R031/T4/D-S/SR	ROVALOCK 1"	5/8"	1/4"	36	108	20	31	20
	R031/T5/D-S/SR	ROVALOCK 1"	3/4"	1/4"	39	111	21	32	22
	R032/T5/D-S/SR	ROVALOCK 1-1/4"	3/4"	1/4"	44	111	22	32	22

\*\*Attacco di carica 1/4"Flare/Sae con filettatura interna per valvola Schrader,non escludibile in retrochiusura.

\*\*Charging connection 1/4Flare/Sae with internal threaded for valve Schrader, it isn't possible to exclude when back seated

Applicazioni per refrigerazione e aria condizionata / Application for refrigeration and air conditioning

Prodotti secondo - Direttiva PED 2014/68/UE . / Products according to - 2014/68/EU Directive PED.

Trattamento antiossidante di Nichelatura / Anti-oxidatio Nickel treatment.



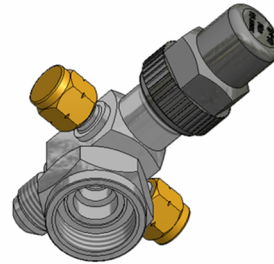
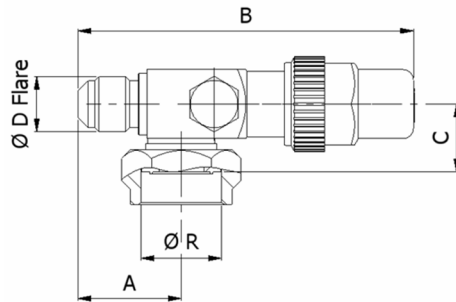
# Valvole Rotalock Flare/Sae con presa Sinistra/Destra



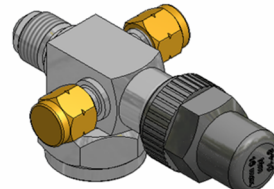
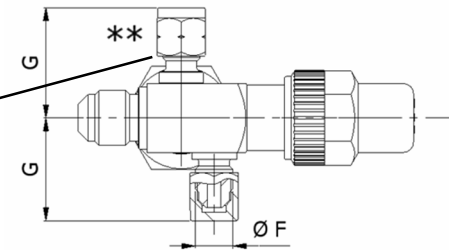
# Rotalock Valves Flare/Sae with Left/Right gauge

È POSSIBILE FARE RICHIESTE SPECIALI /  
**SPECIAL REQUEST ARE POSSIBLE**

VALVOLE FORNITE SENZA MECCANISMO SCHRADER /  
**VALVES SUPPLIED WITHOUT MECHANISM SCHRADER**



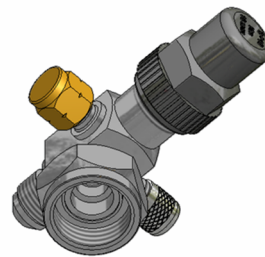
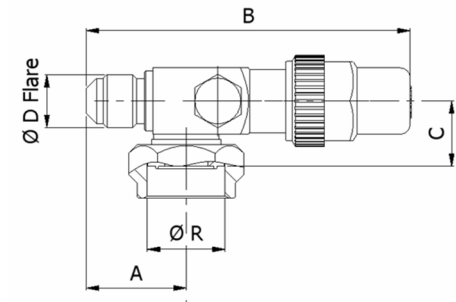
Tappo di tenuta in ottone.  
**Sealing brass plug**



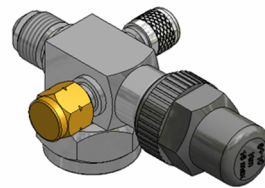
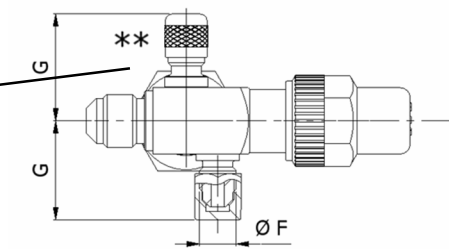
	TIPO / TYPE	ATTACCO ØR CON- NECTION ØR	ØD FLARE-SAE	ØF FLARE-SAE	A	B	C	G	∇
ART.4 PAR.3	R021/T2/S-D	ROTALOCK 1"	3/8"	1/4"	30	97	20	31	20
	R021/T3/S-D	ROTALOCK 1"	1/2"	1/4"	31	98	20	31	20
	R021/T4/S-D	ROTALOCK 1"	5/8"	1/4"	36	108	20	31	20
	R021/T5/S-D	ROTALOCK 1"	3/4"	1/4"	39	111	21	32	22
	R022/T5/S-D	ROTALOCK 1-1/4"	3/4"	1/4"	44	111	22	32	22
	R022/T6/S-D	ROTALOCK 1-1/4"	7/8"	1/4"	51	123	22	32	22

È POSSIBILE FARE RICHIESTE SPECIALI /  
**SPECIAL REQUEST ARE POSSIBLE**

VALVOLE FORNITE SENZA MECCANISMO SCHRADER /  
**VALVES SUPPLIED WITHOUT MECHANISM SCHRADER**



Tappo di protezione in ottone cromato.  
-SR-  
**Chromium-plated brass protection cap.**  
-SR-



	TIPO / TYPE	ATTACCO ØR CON- NECTION ØR	ØD FLARE-SAE	ØF FLARE-SAE	A	B	C	G	∇
ART.4 PAR.3	R031/T2/S-D/SR	ROTALOCK 1"	3/8"	1/4"	30	97	20	31	20
	R031/T3/S-D/SR	ROTALOCK 1"	1/2"	1/4"	31	98	20	31	20
	R031/T4/S-D/SR	ROTALOCK 1"	5/8"	1/4"	35	107	20	31	20
	R091/T5/S-D/SR	ROTALOCK 1"	3/4"	1/4"	41	113	20	31	20
	R031/T5/S-D/SR	ROTALOCK 1"	3/4"	1/4"	41	113	21	32	22
	R032/T5/S-D/SR	ROTALOCK 1-1/4"	3/4"	1/4"	44	116	22	32	22
R032/T6/S-D/SR	ROTALOCK 1-1/4"	7/8"	1/4"	51	123	22	32	22	

\*\*Attacco di carica 1/4"Flare/Sae con filettatura interna per valvola Schrader, non escludibile in retrochiusura.

\*\*Charging connection 1/4"Flare/Sae with internal threaded for valve Schrader, it isn't possible to exclude when back seated

Applicazioni per refrigerazione e aria condizionata / *Application for refrigeration and air conditioning*

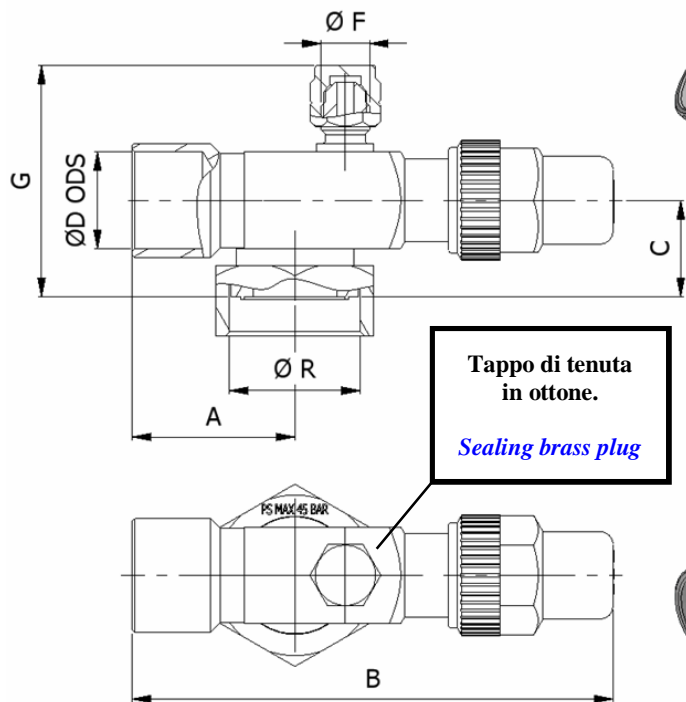
Prodotti secondo - Direttiva PED 2014/68/UE . / *Products according to - 2014/68/EU Directive PED.*

**Trattamento antiossidante di Nichelatura / *Anti-oxidatio Nickel treatment.***

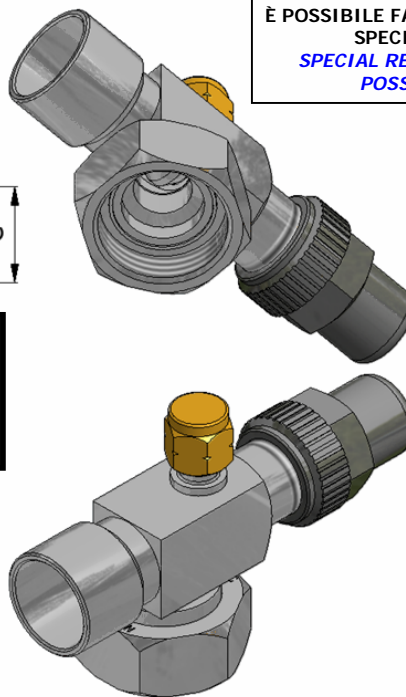
# Valvole Rotalock ODS con presa Verticale



# Rotalock Valves ODS with Vertical gauge



È POSSIBILE FARE RICHIESTE SPECIALI / SPECIAL REQUEST ARE POSSIBLE



	TIPO/TYPER	ATTACCO ØR CON- NECTION ØR	ØD ODS (mm)	ØD ODS (inches)	ØF FLARE-SAE	A	B	C	G	∇
ART. 4 PAR. 3	R040/FA2/H	ROTALOCK 3/4"	6	/	1/4"	30	97	20	49	20
	R040/FA3/H	ROTALOCK 3/4"	/	1/4"	1/4"	30	97	20	49	20
	R040/FA4/H	ROTALOCK 3/4"	8	5/16"	1/4"	30	97	20	49	20
	R040/FA5/H	ROTALOCK 3/4"	/	3/8"	1/4"	30	97	20	49	20
	R040/FA6/H	ROTALOCK 3/4"	10	/	1/4"	30	97	20	49	20
	R040/FA8/H	ROTALOCK 3/4"	/	1/2"	1/4"	31	98	20	49	20
	R041/FA5/H	ROTALOCK 1"	/	3/8"	1/4"	30	97	20	49	20
	R041/FA6/H	ROTALOCK 1"	10	/	1/4"	30	97	20	49	20
	R041/FA7/H	ROTALOCK 1"	12	/	1/4"	31	98	20	49	20
	R041/FA8/H	ROTALOCK 1"	/	1/2"	1/4"	31	98	20	49	20
	R041/FB2/H	ROTALOCK 1"	16	5/8"	1/4"	36	108	20	49	20
	R041/FB3/H	ROTALOCK 1"	18	/	1/4"	37	109	20	49	20
	R041/FB4/H	ROTALOCK 1"	/	3/4"	1/4"	37	110	20	49	20
	R042/FB2/H	ROTALOCK 1-1/4"	16	5/8"	1/4"	37	110	22	53	22
	R042/FB3/H	ROTALOCK 1-1/4"	18	/	1/4"	37	110	22	53	22
	R042/FB4/H	ROTALOCK 1-1/4"	/	3/4"	1/4"	37	110	22	53	22
	R042/FS6/H	ROTALOCK 1-1/4"	22	/	1/4"	37	110	22	53	22
	R042/FS7/H	ROTALOCK 1-1/4"	/	7/8"	1/4"	37	110	22	53	22
	R042/FB6/H	ROTALOCK 1-1/4"	22	/	1/4"	44	137	25	58	28
	R042/FB7/H	ROTALOCK 1-1/4"	/	7/8"	1/4"	44	137	25	58	28
R042/FC1/H	ROTALOCK 1-1/4"	28	/	1/4"	48	141	25	58	28	
R042/FC2/H	ROTALOCK 1-1/4"	/	1-1/8"	1/4"	48	141	25	58	28	
R043/FB6/H	ROTALOCK 1-3/4"	22	/	1/4"	44	137	26	60	28	
R043/FB7/H	ROTALOCK 1-3/4"	/	7/8"	1/4"	44	137	26	60	28	
R043/FC1/H	ROTALOCK 1-3/4"	28	/	1/4"	59	181	31	68	35	
R043/FC2/H	ROTALOCK 1-3/4"	/	1-1/8"	1/4"	59	181	31	68	35	
R043/FC8/H	ROTALOCK 1-3/4"	35	1-3/8"	1/4"	59	181	31	68	35	
R043/FD2/H	ROTALOCK 1-3/4"	42	/	1/4"	63	185	31	68	35	
R043/FD1/H	ROTALOCK 1-3/4"	/	1-5/8"	1/4"	62	184	31	68	35	
R044/FD1/H	ROTALOCK 1-3/4"	/	1-5/8"	1/4"	66	189	33	73	40	
R044/FD2/H	ROTALOCK 1-3/4"	42	/	1/4"	66	189	33	73	40	
R045/FT8/H	ROTALOCK 2-1/4"	35	1-3/8"	1/4"	59	181	34	71	35	
R045/FZ8/H	ROTALOCK 2-1/4"	35	1-3/8"	1/4"	61	184	35	75	40	
R045/FU1/H	ROTALOCK 2-1/4"	/	1-5/8"	1/4"	66	189	36	75	40	
R045/FU2/H	ROTALOCK 2-1/4"	42	/	1/4"	66	189	36	75	40	
R045/FC8/H	ROTALOCK 2-1/4"	35	1-3/8"	1/4"	72	201	39	84	50	
R045/FD1/H	ROTALOCK 2-1/4"	/	1-5/8"	1/4"	72	201	39	84	50	
R045/FD2/H	ROTALOCK 2-1/4"	42	/	1/4"	72	201	39	84	50	
R045/FD7/H	ROTALOCK 2-1/4"	54	2-1/8"	1/4"	80	209	39	84	50	

Applicazioni per refrigerazione e aria condizionata / Application for refrigeration and air conditioning

Prodotti secondo - Direttiva PED 2014/68/UE . / Products according to - 2014/68/EU Directive PED.

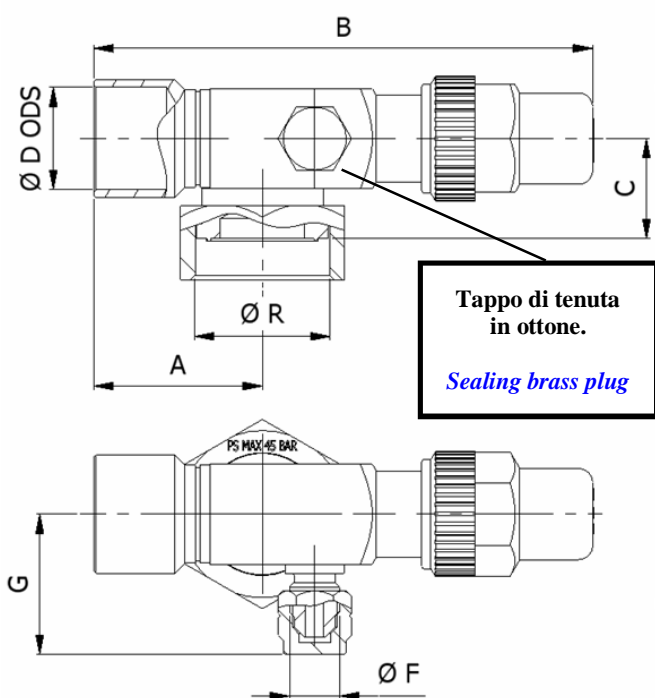
Trattamento antiossidante di Nichelatura / Anti-oxidatio Nickel treatment.

La ditta allo scopo di migliorare la propria produzione si riserva il diritto di apportare modifiche senza preavviso / The company to improve production reserves the right of modifying without notice.

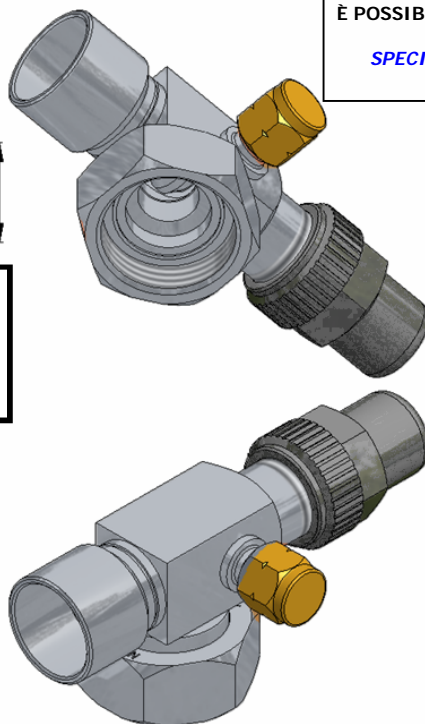
# Valvole Rotalock ODS con presa Sinistra



# Rotalock Valves ODS with Left gauge



È POSSIBILE FARE RICHIESTE SPECIALI /  
SPECIAL REQUEST ARE POSSIBLE



	TIPO/TYPE	ATTACCO ØR CON- NECTION ØR	ØD ODS (mm)	ØD ODS (inches)	ØF FLARE-SAE	A	B	C	G	∇
ART.4 PAR.3	R040/FA2/S	ROVALOCK 3/4"	6	/	1/4"	30	97	20	31	20
	R040/FA3/S	ROVALOCK 3/4"	/	1/4"	1/4"	30	97	20	31	20
	R040/FA4/S	ROVALOCK 3/4"	8	5/16"	1/4"	30	97	20	31	20
	R040/FA5/S	ROVALOCK 3/4"	/	3/8"	1/4"	30	97	20	31	20
	R040/FA6/S	ROVALOCK 3/4"	10	/	1/4"	30	97	20	31	20
	R041/FA5/S	ROVALOCK 1"	/	3/8"	1/4"	30	97	20	31	20
	R041/FA6/S	ROVALOCK 1"	10	/	1/4"	30	97	20	31	20
	R041/FA7/S	ROVALOCK 1"	12	/	1/4"	31	98	20	31	20
	R041/FA8/S	ROVALOCK 1"	/	1/2"	1/4"	31	98	20	31	20
	R041/FB2/S	ROVALOCK 1"	16	5/8"	1/4"	36	108	20	30	20
	R041/FB3/S	ROVALOCK 1"	18	/	1/4"	37	110	20	31	20
	R041/FB4/S	ROVALOCK 1"	/	3/4"	1/4"	37	110	20	31	20
	R042/FB2/S	ROVALOCK 1-1/4"	16	5/8"	1/4"	37	110	22	31	22
	R042/FB3/S	ROVALOCK 1-1/4"	18	/	1/4"	37	110	22	31	22
	R042/FB4/S	ROVALOCK 1-1/4"	/	3/4"	1/4"	37	110	22	31	22
	R042/FS6/S	ROVALOCK 1-1/4"	22	/	1/4"	37	110	22	31	22
	R042/FS7/S	ROVALOCK 1-1/4"	/	7/8"	1/4"	37	110	22	31	22
	R042/FS3/S	ROVALOCK 1-1/4"	18	/	1/4"	44	137	25	34	28
	R042/FB6/S	ROVALOCK 1-1/4"	22	/	1/4"	44	137	25	34	28
	R042/FB7/S	ROVALOCK 1-1/4"	/	7/8"	1/4"	44	137	25	34	28
R042/FC1/S	ROVALOCK 1-1/4"	28	/	1/4"	48	141	25	34	28	
R042/FC2/S	ROVALOCK 1-1/4"	/	1-1/8"	1/4"	48	141	25	34	28	
R043/FB6/S	ROVALOCK 1-3/4"	22	/	1/4"	44	137	26	35	28	
R043/FB7/S	ROVALOCK 1-3/4"	/	7/8"	1/4"	44	137	26	35	28	
R043/FC1/S	ROVALOCK 1-3/4"	28	/	1/4"	59	181	31	38	35	
R043/FC2/S	ROVALOCK 1-3/4"	/	1-1/8"	1/4"	59	181	31	38	35	
R043/FC8/S	ROVALOCK 1-3/4"	35	1-3/8"	1/4"	59	181	31	38	35	
R043/FD1/S	ROVALOCK 1-3/4"	/	1-5/8"	1/4"	63	185	31	38	35	
R043/FD2/S	ROVALOCK 1-3/4"	42	/	1/4"	62	184	31	38	35	
R044/FD1/S	ROVALOCK 1-3/4"	/	1-5/8"	1/4"	66	189	33	40	40	
R044/FD2/S	ROVALOCK 1-3/4"	42	/	1/4"	66	189	33	40	40	
R045/FT8/S	ROVALOCK 2-1/4"	35	1-3/8"	1/4"	61	184	36	40	40	
R045/FU1/S	ROVALOCK 2-1/4"	/	1-5/8"	1/4"	66	189	36	40	40	
R045/FU2/S	ROVALOCK 2-1/4"	42	/	1/4"	66	189	36	40	40	
R045/FC8/S	ROVALOCK 2-1/4"	35	1-3/8"	1/4"	72	201	39	46	50	
R045/FD1/S	ROVALOCK 2-1/4"	/	1-5/8"	1/4"	72	201	39	46	50	
R045/FD2/S	ROVALOCK 2-1/4"	42	/	1/4"	72	201	39	46	50	
R045/FD7/S	ROVALOCK 2-1/4"	54	2-1/8"	1/4"	80	209	39	46	50	

Applicazioni per refrigerazione e aria condizionata / Application for refrigeration and air conditioning

Prodotti secondo - Direttiva PED 2014/68/UE . / Products according to - 2014/68/EU Directive PED.

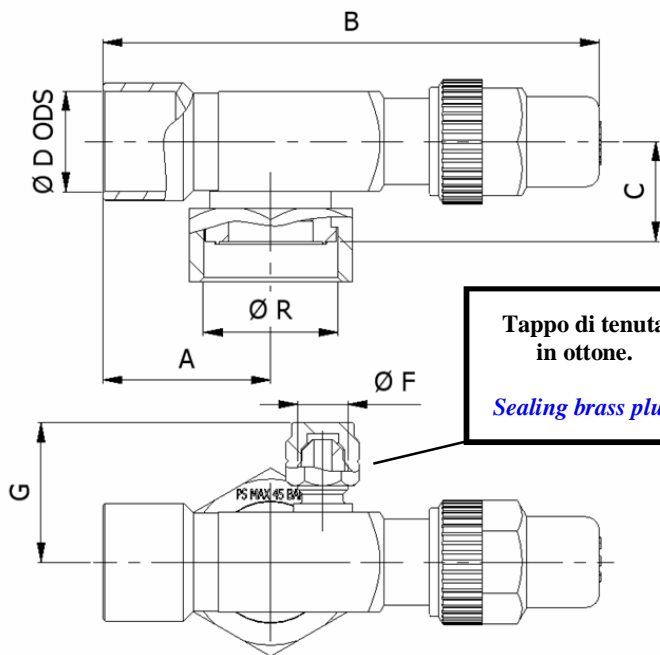
Trattamento antiossidante di Nichelatura / Anti-oxidatio Nickel treatment.

La ditta allo scopo di migliorare la propria produzione si riserva il diritto di apportare modifiche senza preavviso / The company to improve production reserves the right of modifying without notice.

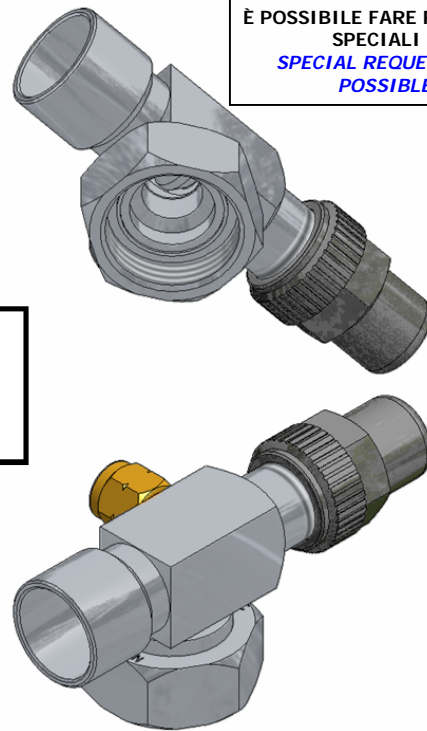
# Valvole Rotalock ODS con presa Destra



# Rotalock Valves ODS with Right gauge



**Tappo di tenuta  
in ottone.**  
*Sealing brass plug*



**È POSSIBILE FARE RICHIESTE  
SPECIALI /  
SPECIAL REQUEST ARE  
POSSIBLE**

	TIPO/TYPE	ATTACCO ØR CON- NECTION ØR	ØD ODS (mm)	ØD ODS (inches)	ØF FLARE-SAE	A	B	C	G	∇
ART.4 PAR.3	R040/FA2/D	ROVALOCK 3/4"	6	/	1/4"	30	97	20	31	20
	R040/FA3/D	ROVALOCK 3/4"	/	1/4"	1/4"	30	97	20	31	20
	R040/FA4/D	ROVALOCK 3/4"	8	5/16"	1/4"	30	97	20	31	20
	R040/FA5/D	ROVALOCK 3/4"	/	3/8"	1/4"	30	97	20	31	20
	R040/FA6/D	ROVALOCK 3/4"	10	/	1/4"	30	97	20	31	20
	R041/FA4/D	ROVALOCK 1"	8	5/16"	1/4"	30	97	20	31	20
	R041/FA5/D	ROVALOCK 1"	/	3/8"	1/4"	30	97	20	31	20
	R041/FA6/D	ROVALOCK 1"	10	/	1/4"	30	97	20	31	20
	R041/FA7/D	ROVALOCK 1"	12	/	1/4"	31	98	20	31	20
	R041/FA8/D	ROVALOCK 1"	/	1/2"	1/4"	31	98	20	31	20
	R041/FB2/D	ROVALOCK 1"	16	5/8"	1/4"	36	108	20	31	20
	R041/FB3/D	ROVALOCK 1"	18	/	1/4"	37	110	20	31	20
	R041/FB4/D	ROVALOCK 1"	/	3/4"	1/4"	37	110	20	31	20
	R042/FB2/D	ROVALOCK 1-1/4"	16	5/8"	1/4"	37	110	22	32	22
	R042/FB3/D	ROVALOCK 1-1/4"	18	/	1/4"	37	110	22	32	22
	R042/FB4/D	ROVALOCK 1-1/4"	/	3/4"	1/4"	37	110	22	32	22
	R042/FS6/D	ROVALOCK 1-1/4"	22	/	1/4"	37	110	22	32	22
	R042/FS7/D	ROVALOCK 1-1/4"	/	7/8"	1/4"	37	110	22	32	22
	R042/FB6/D	ROVALOCK 1-1/4"	22	/	1/4"	44	137	25	35	28
	R042/FB7/D	ROVALOCK 1-1/4"	/	7/8"	1/4"	44	137	25	35	28
R042/FC1/D	ROVALOCK 1-1/4"	28	/	1/4"	48	141	25	35	28	
R042/FC2/D	ROVALOCK 1-1/4"	/	1-1/8"	1/4"	48	141	25	35	28	
R043/FB6/D	ROVALOCK 1-3/4"	22	/	1/4"	44	137	26	35	28	
R043/FB7/D	ROVALOCK 1-3/4"	/	7/8"	1/4"	44	137	26	35	28	
R043/FC1/D	ROVALOCK 1-3/4"	28	/	1/4"	59	181	31	38	35	
R043/FC2/D	ROVALOCK 1-3/4"	/	1-1/8"	1/4"	59	181	31	38	35	
R043/FC8/D	ROVALOCK 1-3/4"	35	1-3/8"	1/4"	59	181	31	38	35	
R043/FD1/D	ROVALOCK 1-3/4"	/	1-5/8"	1/4"	63	185	31	38	35	
R043/FD2/D	ROVALOCK 1-3/4"	42	/	1/4"	62	184	31	38	35	
R044/FD1/D	ROVALOCK 1-3/4"	/	1-5/8"	1/4"	66	189	33	40	40	
R044/FD2/D	ROVALOCK 1-3/4"	42	/	1/4"	66	189	33	40	40	
R045/FT8/D	ROVALOCK 2-1/4"	35	1-3/8"	1/4"	61	184	35	40	40	
R045/FU1/D	ROVALOCK 2-1/4"	/	1-5/8"	1/4"	66	189	35	40	40	
R045/FU2/D	ROVALOCK 2-1/4"	42	/	1/4"	66	189	35	40	40	
R045/FC8/D	ROVALOCK 2-1/4"	35	1-3/8"	1/4"	85	201	39	46	50	
R045/FD1/D	ROVALOCK 2-1/4"	/	1-5/8"	1/4"	85	201	39	46	50	
R045/FD2/D	ROVALOCK 2-1/4"	42	/	1/4"	85	201	39	46	50	
R045/FD7/D	ROVALOCK 2-1/4"	54	2-1/8"	1/4"	80	209	39	46	50	

Applicazioni per refrigerazione e aria condizionata / *Application for refrigeration and air conditioning*

Prodotti secondo - Direttiva PED 2014/68/UE . / *Products according to - 2014/68/EU Directive PED.*

**Tattamento antiossidante di Nichelatura / *Anti-oxidatio Nickel treatment.***

La ditta allo scopo di migliorare la propria produzione si riserva il diritto di apportare modifiche senza preavviso / The company to improve production reserves the right of modifying without notice.



# Valvole Rotalock ODS con presa Destra / Sinistra

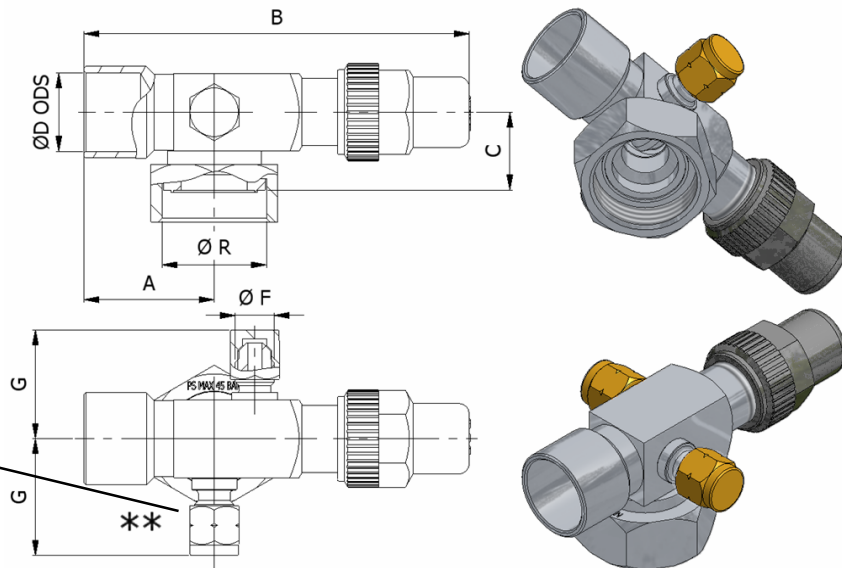


# Rotalock Valves ODS with Right / Left gauge

È POSSIBILE FARE RICHIESTE SPECIALI /  
SPECIAL REQUEST ARE POSSIBLE

VALVOLE FORNITE SENZA MECCANISMO SCHRADER /  
VALVES SUPPLIED WITHOUT MECHANISM SCHRADER

Tappo di tenuta in ottone.  
Sealing brass plug



	TIPO/TYPE	ATTACCO ØR CONNECTION ØR	ØD ODS (mm)	ØD ODS (inches)	ØF FLARE-SAE	A	B	C	G	∇
ART.4 PAR.3	R050/FA2/D-S	ROTALOCK 3/4"	6	/	1/4"	30	97	20	31	20
	R050/FA3/D-S	ROTALOCK 3/4"	/	1/4"	1/4"	30	97	20	31	20
	R050/FA4/D-S	ROTALOCK 3/4"	8	5/16"	1/4"	30	97	20	31	20
	R050/FA5/D-S	ROTALOCK 3/4"	/	3/8"	1/4"	30	97	20	31	20
	R050/FA6/D-S	ROTALOCK 3/4"	10	/	1/4"	30	97	20	31	20
	R051/FA5/D-S	ROTALOCK 1 "	/	3/8"	1/4"	30	97	20	31	20
	R051/FA6/D-S	ROTALOCK 1 "	10	/	1/4"	30	97	20	31	20
	R051/FA7/D-S	ROTALOCK 1 "	12	/	1/4"	31	98	20	31	20
	R051/FA8/D-S	ROTALOCK 1 "	/	1/2"	1/4"	31	98	20	31	20
	R051/FB2/D-S	ROTALOCK 1 "	16	5/8"	1/4"	36	108	20	31	20
	R051/FB3/D-S	ROTALOCK 1 "	18	/	1/4"	37	110	20	31	20
	R051/FB4/D-S	ROTALOCK 1 "	/	3/4"	1/4"	37	110	20	31	20
	R051/FS3/D-S	ROTALOCK 1 "	18	/	1/4"	37	110	22	32	22
	R051/FB6/D-S	ROTALOCK 1 "	22	/	1/4"	37	110	22	32	22
	R052/FA7/D-S	ROTALOCK 1-1/4"	12	/	1/4"	32	104	21	31	20
	R052/FS2/D-S	ROTALOCK 1-1/4"	16	5/8"	1/4"	35	104	21	31	20
	R052/FB2/D-S	ROTALOCK 1-1/4"	16	5/8"	1/4"	37	110	22	32	22
	R052/FB3/D-S	ROTALOCK 1-1/4"	18	/	1/4"	37	110	22	32	22
	R052/FB4/D-S	ROTALOCK 1-1/4"	/	3/4"	1/4"	37	110	22	32	22
	R052/FS6/D-S	ROTALOCK 1-1/4"	22	/	1/4"	37	110	22	32	22
R052/FS7/D-S	ROTALOCK 1-1/4"	/	7/8"	1/4"	37	110	22	32	22	
R052/FS3/D-S	ROTALOCK 1-1/4"	18	/	1/4"	44	137	25	35	28	
R052/FB6/D-S	ROTALOCK 1-1/4"	22	/	1/4"	44	137	25	35	28	
R052/FB7/D-S	ROTALOCK 1-1/4"	/	7/8"	1/4"	48	138	25	35	28	
R052/FC1/D-S	ROTALOCK 1-1/4"	28	/	1/4"	48	141	25	35	28	
R052/FC2/D-S	ROTALOCK 1-1/4"	/	1-1/8"	1/4"	48	141	25	35	28	
R053/FB6/D-S	ROTALOCK 1-3/4"	22	/	1/4"	44	137	26	35	28	
R053/FB7/D-S	ROTALOCK 1-3/4"	/	7/8"	1/4"	44	137	26	35	28	
R053/FC1/D-S	ROTALOCK 1-3/4"	28	/	1/4"	59	181	31	38	35	
R053/FC2/D-S	ROTALOCK 1-3/4"	/	1-1/8"	1/4"	59	181	31	38	35	
R053/FC8/D-S	ROTALOCK 1-3/4"	35	1-3/8"	1/4"	59	181	31	38	35	
R053/FD1/D-S	ROTALOCK 1-3/4"	/	1-5/8"	1/4"	63	185	31	38	35	
R053/FD2/D-S	ROTALOCK 1-3/4"	42	/	1/4"	62	184	31	38	35	
R054/FD1/D-S	ROTALOCK 1-3/4"	/	1-5/8"	1/4"	66	189	33	41	40	
R054/FD2/D-S	ROTALOCK 1-3/4"	42	/	1/4"	66	189	33	41	40	
CAT.1	R055/FT8/D-S	ROTALOCK 2-1/4"	35	1-3/8"	1/4"	61	184	36	41	40
	R055/FU1/D-S	ROTALOCK 2-1/4"	/	1-5/8"	1/4"	66	189	36	41	40
	R055/FU2/D-S	ROTALOCK 2-1/4"	42	/	1/4"	66	189	36	41	40
	R055/FC8/D-S	ROTALOCK 2-1/4"	35	1-3/8"	1/4"	85	201	39	46	50
	R055/FD1/D-S	ROTALOCK 2-1/4"	/	1-5/8"	1/4"	85	201	39	46	50
	R055/FD2/D-S	ROTALOCK 2-1/4"	42	/	1/4"	85	201	39	46	50
	R055/FD7/D-S	ROTALOCK 2-1/4"	54	2-1/8"	1/4"	80	209	39	46	50

\*\*Attacco di carica 1/4" Flare/Sae con filettatura interna per valvola Schrader, non escludibile in retrochiusura.

\*\*Charging connection 1/4" Flare/Sae with internal threaded for valve Schrader, it isn't possible to exclude when back seated

Applicazioni per refrigerazione e aria condizionata / Application for refrigeration and air conditioning

Prodotti secondo - Direttiva PED 2014/68/UE . / Products according to - 2014/68/EU Directive PED.

Trattamento antiossidante di Nichelatura / Anti-oxidatio Nickel treatment.

La ditta allo scopo di migliorare la propria produzione si riserva il diritto di apportare modifiche senza preavviso / The company to improve production reserves the right of modifying without notice.

# Valvole Rotalock ODS con presa Destra / Sinistra

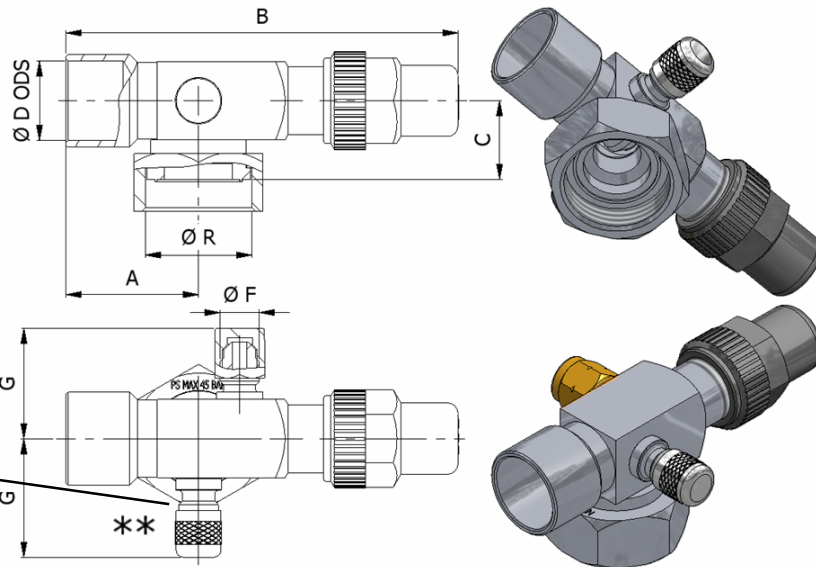


# Rotalock Valves ODS with Right / Left gauge

È POSSIBILE FARE RICHIESTE SPECIALI /  
**SPECIAL REQUEST ARE POSSIBLE**

VALVOLE FORNITE SENZA MECCANISMO SCHRADER /  
**VALVES SUPPLIED WITHOUT MECHANISM SCHRADER**

Tappo di protezione in ottone cromato.  
**-SR-  
Chromium-plated brass protection cap.  
-SR-**



	TIPO/TYPE	ATTACCO ØR CON- NECTION ØR	ØD ODS (mm)	ØD ODS (inches)	ØF FLARE-SAE	A	B	C	G	□
ART. 4 PAR. 3	R060/FA2/D-S/SR	ROTALOCK 3/4"	6	/	1/4"	30	97	20	31	20
	R060/FA3/D-S/SR	ROTALOCK 3/4"	/	1/4"	1/4"	30	97	20	31	20
	R060/FA4/D-S/SR	ROTALOCK 3/4"	8	5/16"	1/4"	30	97	20	31	20
	R060/FA5/D-S/SR	ROTALOCK 3/4"	/	3/8"	1/4"	30	97	20	31	20
	R060/FA6/D-S/SR	ROTALOCK 3/4"	10	/	1/4"	30	97	20	31	20
	R061/FA5/D-S/SR	ROTALOCK 1 "	/	3/8"	1/4"	30	97	20	31	20
	R061/FA6/D-S/SR	ROTALOCK 1 "	10	/	1/4"	30	97	20	31	20
	R061/FA7/D-S/SR	ROTALOCK 1 "	12	/	1/4"	31	98	20	31	20
	R061/FA8/D-S/SR	ROTALOCK 1 "	/	1/2"	1/4"	31	98	20	31	20
	R061/FB2/D-S/SR	ROTALOCK 1 "	16	5/8"	1/4"	36	108	20	31	20
	R061/FB3/D-S/SR	ROTALOCK 1 "	18	/	1/4"	37	110	20	31	20
	R061/FB4/D-S/SR	ROTALOCK 1 "	/	3/4"	1/4"	37	110	20	31	20
	R062/FB2/D-S/SR	ROTALOCK 1-1/4"	16	5/8"	1/4"	37	110	22	32	22
	R062/FB3/D-S/SR	ROTALOCK 1-1/4"	18	/	1/4"	37	110	22	32	22
	R062/FB4/D-S/SR	ROTALOCK 1-1/4"	/	3/4"	1/4"	37	110	22	32	22
	R062/FS6/D-S/SR	ROTALOCK 1-1/4"	22	/	1/4"	37	110	22	32	22
	R062/FS7/D-S/SR	ROTALOCK 1-1/4"	/	7/8"	1/4"	37	110	22	32	22
	R062/FB6/D-S/SR	ROTALOCK 1-1/4"	22	/	1/4"	44	137	25	35	28
	R062/FB7/D-S/SR	ROTALOCK 1-1/4"	/	7/8"	1/4"	44	137	25	35	28
	R062/FC1/D-S/SR	ROTALOCK 1-1/4"	28	/	1/4"	48	141	25	35	28
R062/FC2/D-S/SR	ROTALOCK 1-1/4"	/	1-1/8"	1/4"	48	141	25	35	28	
R063/FB6/D-S/SR	ROTALOCK 1-3/4"	22	/	1/4"	44	137	26	35	28	
R063/FB7/D-S/SR	ROTALOCK 1-3/4"	/	7/8"	1/4"	44	137	26	35	28	
R063/FC1/D-S/SR	ROTALOCK 1-3/4"	28	/	1/4"	59	181	31	38	35	
R063/FC2/D-S/SR	ROTALOCK 1-3/4"	/	1-1/8"	1/4"	59	181	31	38	35	
R063/FC8/D-S/SR	ROTALOCK 1-3/4"	35	1-3/8"	1/4"	59	181	31	38	35	
R063/FD1/D-S/SR	ROTALOCK 1-3/4"	/	1-5/8"	1/4"	63	185	31	38	35	
R063/FD2/D-S/SR	ROTALOCK 1-3/4"	42	/	1/4"	62	184	31	38	35	
R064/FD1/D-S/SR	ROTALOCK 1-3/4"	/	1-5/8"	1/4"	66	189	33	41	40	
R064/FD2/D-S/SR	ROTALOCK 1-3/4"	42	/	1/4"	66	189	33	41	40	
R065/FT8/D-S/SR	ROTALOCK 2-1/4"	35	1-3/8"	1/4"	61	184	36	41	40	
R065/FU1/D-S/SR	ROTALOCK 2-1/4"	/	1-5/8"	1/4"	66	189	36	41	40	
R065/FU2/D-S/SR	ROTALOCK 2-1/4"	42	/	1/4"	66	189	36	41	40	
R065/FC8/D-S/SR	ROTALOCK 2-1/4"	35	1-3/8"	1/4"	85	201	39	46	50	
R065/FD1/D-S/SR	ROTALOCK 2-1/4"	/	1-5/8"	1/4"	85	201	39	46	50	
R065/FD2/D-S/SR	ROTALOCK 2-1/4"	42	/	1/4"	85	201	39	46	50	
R065/FD7/D-S/SR	ROTALOCK 2-1/4"	54	2-1/8"	1/4"	80	209	39	46	50	

\*\*Attacco di carica 1/4"Flare/Sae con filettatura interna per valvola Schrader,non escludibile in retrochiusura.

\*\*Charging connection 1/4Flare/Sae with internal threaded for valve Schrader, it isn't possible to exclude when back seated

Applicazioni per refrigerazione e aria condizionata / Application for refrigeration and air conditioning

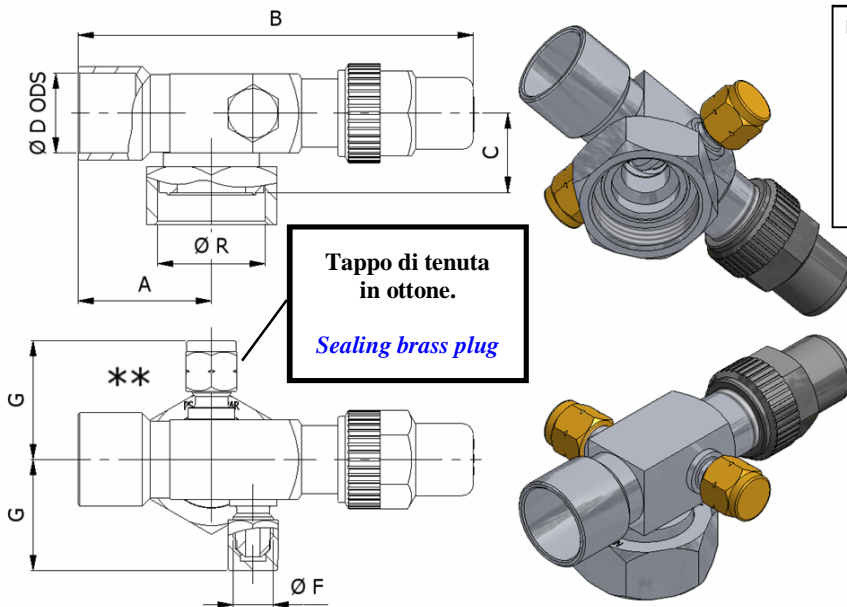
Prodotti secondo - Direttiva PED 2014/68/UE . / Products according to - 2014/68/EU Directive PED.

**Trattamento antiossidante di Nichelatura / Anti-oxidatio Nickel treatment.**

# Valvole Rotalock ODS con presa Sinistra / Destra



# Rotalock Valves ODS with Left / Right gauge



È POSSIBILE FARE RICHIESTE SPECIALI /  
SPECIAL REQUEST ARE POSSIBLE

VALVOLE FORNITE SENZA MECCANISMO SCHRADER /  
VALVES SUPPLIED WITHOUT MECHANISM SCHRADER

ART. 4  
PAR. 3

CAT. 1

TIPO/TYPE	ATTACCO ØR CONNEC-TION ØR	ØD ODS (mm)	ØD ODS (inches)	ØF FLARE-SAE	A	B	C	G	∇
R070/FA2/S-D	ROTALOCK 3/4"	6	/	1/4"	30	97	20	31	20
R070/FA3/S-D	ROTALOCK 3/4"	/	1/4"	1/4"	30	97	20	31	20
R070/FA4/S-D	ROTALOCK 3/4"	8	5/16"	1/4"	30	97	20	31	20
R070/FA5/S-D	ROTALOCK 3/4"	/	3/8"	1/4"	30	97	20	31	20
R070/FA6/S-D	ROTALOCK 3/4"	10	/	1/4"	30	97	20	31	20
R071/FA5/S-D	ROTALOCK 1"	/	3/8"	1/4"	30	97	20	31	20
R071/FA6/S-D	ROTALOCK 1"	10	/	1/4"	30	97	20	31	20
R071/FA7/S-D	ROTALOCK 1"	12	/	1/4"	31	98	20	31	20
R071/FA8/S-D	ROTALOCK 1"	/	1/2"	1/4"	31	98	20	31	20
R071/FB2/S-D	ROTALOCK 1"	16	5/8"	1/4"	36	108	20	31	20
R071/FB3/S-D	ROTALOCK 1"	18	/	1/4"	37	110	20	31	20
R071/FB4/S-D	ROTALOCK 1"	/	3/4"	1/4"	37	110	20	31	20
R072/FB2/S-D	ROTALOCK 1-1/4"	16	5/8"	1/4"	37	110	22	32	22
R072/FB3/S-D	ROTALOCK 1-1/4"	18	/	1/4"	37	110	22	32	22
R072/FB4/S-D	ROTALOCK 1-1/4"	/	3/4"	1/4"	37	110	22	32	22
R072/FS6/S-D	ROTALOCK 1-1/4"	22	/	1/4"	37	110	22	32	22
R072/FS7/S-D	ROTALOCK 1-1/4"	/	7/8"	1/4"	37	110	22	32	22
R072/FS3/S-D	ROTALOCK 1-1/4"	18	/	1/4"	44	137	25	35	28
R072/FB6/S-D	ROTALOCK 1-1/4"	22	/	1/4"	44	137	25	35	28
R072/FB7/S-D	ROTALOCK 1-1/4"	/	7/8"	1/4"	44	137	25	35	28
R072/FC1/S-D	ROTALOCK 1-1/4"	28	/	1/4"	48	141	25	35	28
R072/FC2/S-D	ROTALOCK 1-1/4"	/	1-1/8"	1/4"	48	141	25	35	28
R073/FB6/S-D	ROTALOCK 1-3/4"	22	/	1/4"	44	137	26	35	28
R073/FB7/S-D	ROTALOCK 1-3/4"	/	7/8"	1/4"	44	137	26	35	28
R073/FC1/S-D	ROTALOCK 1-3/4"	28	/	1/4"	59	181	31	38	35
R073/FC2/S-D	ROTALOCK 1-3/4"	/	1-1/8"	1/4"	59	181	31	38	35
R073/FC8/S-D	ROTALOCK 1-3/4"	35	1-3/8"	1/4"	59	181	31	38	35
R073/FD1/S-D	ROTALOCK 1-3/4"	/	1-5/8"	1/4"	63	185	31	38	35
R073/FD2/S-D	ROTALOCK 1-3/4"	42	/	1/4"	62	184	31	38	35
R074/FD1/S-D	ROTALOCK 1-3/4"	/	1-5/8"	1/4"	66	189	33	41	40
R074/FD2/S-D	ROTALOCK 1-3/4"	42	/	1/4"	66	189	33	41	40
R085/FC8/S-D	ROTALOCK 2-1/4"	35	1-3/8"	1/4"	59	182	31	34	35
R085/FD2/S-D	ROTALOCK 2-1/4"	42	/	1/4"	66	189	31	34	35
R075/FT8/S-D	ROTALOCK 2-1/4"	35	1-3/8"	1/4"	61	184	36	41	40
R075/FU1/S-D	ROTALOCK 2-1/4"	/	1-5/8"	1/4"	66	189	36	41	40
R075/FU2/S-D	ROTALOCK 2-1/4"	42	/	1/4"	66	189	36	41	40
R075/FC8/S-D	ROTALOCK 2-1/4"	35	1-3/8"	1/4"	72	201	39	46	50
R075/FD1/S-D	ROTALOCK 2-1/4"	/	1-5/8"	1/4"	72	201	39	46	50
R075/FD2/S-D	ROTALOCK 2-1/4"	42	/	1/4"	72	201	39	46	50
R075/FD7/S-D	ROTALOCK 2-1/4"	54	2-1/8"	1/4"	80	209	39	46	50

\*\*Attacco di carica 1/4" Flare/Sae con filettatura interna per valvola Schrader, non escludibile in retrochiusura.

\*\*Charging connection 1/4" Flare/Sae with internal threaded for valve Schrader, it isn't possible to exclude when back seated

Applicazioni per refrigerazione e aria condizionata / Application for refrigeration and air conditioning

Prodotti secondo - Direttiva PED 2014/68/UE . / Products according to - 2014/68/EU Directive PED.

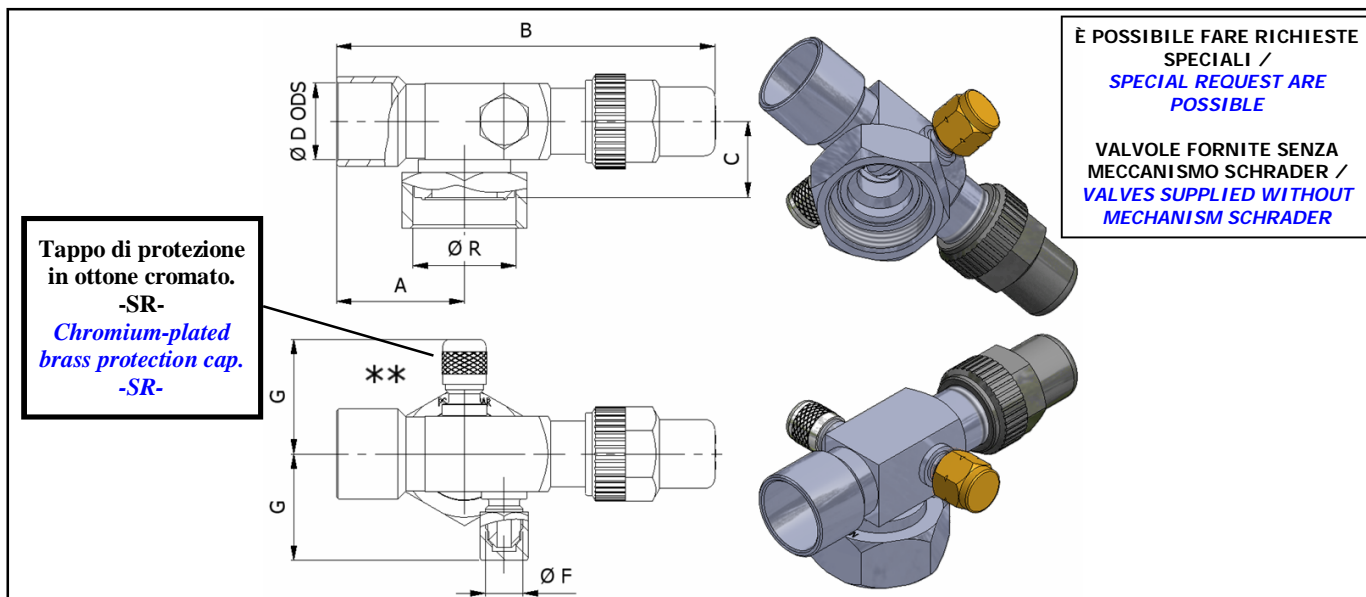
Trattamento antiossidante di Nichelatura / Anti-oxidatio Nickel treatment.

La ditta allo scopo di migliorare la propria produzione si riserva il diritto di apportare modifiche senza preavviso / The company to improve production reserves the right of modifying without notice.

# Valvole Rotalock ODS con presa Sinistra / Destra



# Rotalock Valves ODS with Left / Right gauge



È POSSIBILE FARE RICHIESTE SPECIALI /  
SPECIAL REQUEST ARE POSSIBLE

VALVOLE FORNITE SENZA MECCANISMO SCHRADER /  
VALVES SUPPLIED WITHOUT MECHANISM SCHRADER

	TIPO / TYPE	ATTACCO ØR CONNECTION ØR	ØD ODS (mm)	ØD ODS (inches)	ØF FLARE-SAE	A	B	C	G	
ART.4 PAR.3	R080/FA2/S-D/SR	ROTALOCK 3/4"	6	/	1/4"	30	97	20	31	20
	R080/FA3/S-D/SR	ROTALOCK 3/4"	/	1/4"	1/4"	30	97	20	31	20
	R080/FA4/S-D/SR	ROTALOCK 3/4"	8	5/16"	1/4"	30	97	20	31	20
	R080/FA5/S-D/SR	ROTALOCK 3/4"	/	3/8"	1/4"	30	97	20	31	20
	R080/FA6/S-D/SR	ROTALOCK 3/4"	10	/	1/4"	30	97	20	31	20
	R081/FA5/S-D/SR	ROTALOCK 1 "	/	3/8"	1/4"	30	97	20	31	20
	R081/FA6/S-D/SR	ROTALOCK 1 "	10	/	1/4"	30	97	20	31	20
	R081/FA7/S-D/SR	ROTALOCK 1 "	12	/	1/4"	31	98	20	31	20
	R081/FA8/S-D/SR	ROTALOCK 1 "	/	1/2"	1/4"	31	98	20	31	20
	R081/FB2/S-D/SR	ROTALOCK 1 "	16	5/8"	1/4"	36	108	20	31	20
	R081/FB3/S-D/SR	ROTALOCK 1 "	18	/	1/4"	37	110	20	31	20
	R081/FB4/S-D/SR	ROTALOCK 1 "	/	3/4"	1/4"	37	110	20	31	20
	R082/FB2/S-D/SR	ROTALOCK 1-1/4"	16	5/8"	1/4"	37	110	22	32	22
	R082/FB3/S-D/SR	ROTALOCK 1-1/4"	18	/	1/4"	37	110	22	32	22
	R082/FB4/S-D/SR	ROTALOCK 1-1/4"	/	3/4"	1/4"	37	110	22	32	22
	R082/FS6/S-D/SR	ROTALOCK 1-1/4"	22	/	1/4"	37	110	22	32	22
	R082/FS7/S-D/SR	ROTALOCK 1-1/4"	/	7/8"	1/4"	37	110	22	32	22
	R082/FB6/S-D/SR	ROTALOCK 1-1/4"	22	/	1/4"	44	137	25	35	28
	R082/FB7/S-D/SR	ROTALOCK 1-1/4"	/	7/8"	1/4"	44	137	25	35	28
	R082/FC1/S-D/SR	ROTALOCK 1-1/4"	28	/	1/4"	48	141	25	35	28
R082/FC2/S-D/SR	ROTALOCK 1-1/4"	/	1-1/8"	1/4"	48	141	25	35	28	
R083/FB6/S-D/SR	ROTALOCK 1-3/4"	22	/	1/4"	44	137	26	35	28	
R083/FB7/S-D/SR	ROTALOCK 1-3/4"	/	7/8"	1/4"	44	137	26	35	28	
R083/FS6/S-D/SR	ROTALOCK 1-3/4"	22	/	1/4"	55	177	31	38	35	
R083/FC1/S-D/SR	ROTALOCK 1-3/4"	28	/	1/4"	59	181	31	38	35	
R083/FC2/S-D/SR	ROTALOCK 1-3/4"	/	1-1/8"	1/4"	59	181	31	38	35	
R083/FC8/S-D/SR	ROTALOCK 1-3/4"	35	1-3/8"	1/4"	59	181	31	38	35	
R083/FD2/S-D/SR	ROTALOCK 1-3/4"	42	/	1/4"	63	185	31	38	35	
R083/FD1/S-D/SR	ROTALOCK 1-3/4"	/	1-5/8"	1/4"	62	184	31	38	35	
R084/FD1/S-D/SR	ROTALOCK 1-3/4"	/	1-5/8"	1/4"	66	189	33	41	40	
R084/FD2/S-D/SR	ROTALOCK 1-3/4"	42	/	1/4"	66	189	33	41	40	
R085/FC8/S-D/SR	ROTALOCK 2-1/4"	35	1-3/8"	1/4"	59	182	31	34	35	
R085/FD2/S-D/SR	ROTALOCK 2-1/4"	42	/	1/4"	66	189	31	34	35	
R085/FZ8/S-D/SR	ROTALOCK 2-1/4"	35	1-3/8"	1/4"	61	184	36	41	40	
R085/FU2/S-D/SR	ROTALOCK 2-1/4"	42	/	1/4"	66	189	36	41	40	
R085/FU1/S-D/SR	ROTALOCK 2-1/4"	/	1-5/8"	1/4"	66	189	36	41	40	
R085/FT8/S-D/SR	ROTALOCK 2-1/4"	35	1-3/8"	1/4"	72	201	39	46	50	
R085/FD1/S-D/SR	ROTALOCK 2-1/4"	/	1-5/8"	1/4"	72	201	39	46	50	
R085/FD2/S-D/SR	ROTALOCK 2-1/4"	42	/	1/4"	72	201	39	46	50	
R085/FD7/S-D/SR	ROTALOCK 2-1/4"	54	2-1/8"	1/4"	80	209	39	46	50	

\*\*Attacco di carica 1/4" Flare/Sae con filettatura interna per valvola Schrader, non escludibile in retrochiusura.  
 \*\*Charging connection 1/4" Flare/Sae with internal threaded for valve Schrader, it isn't possible to exclude when back seated

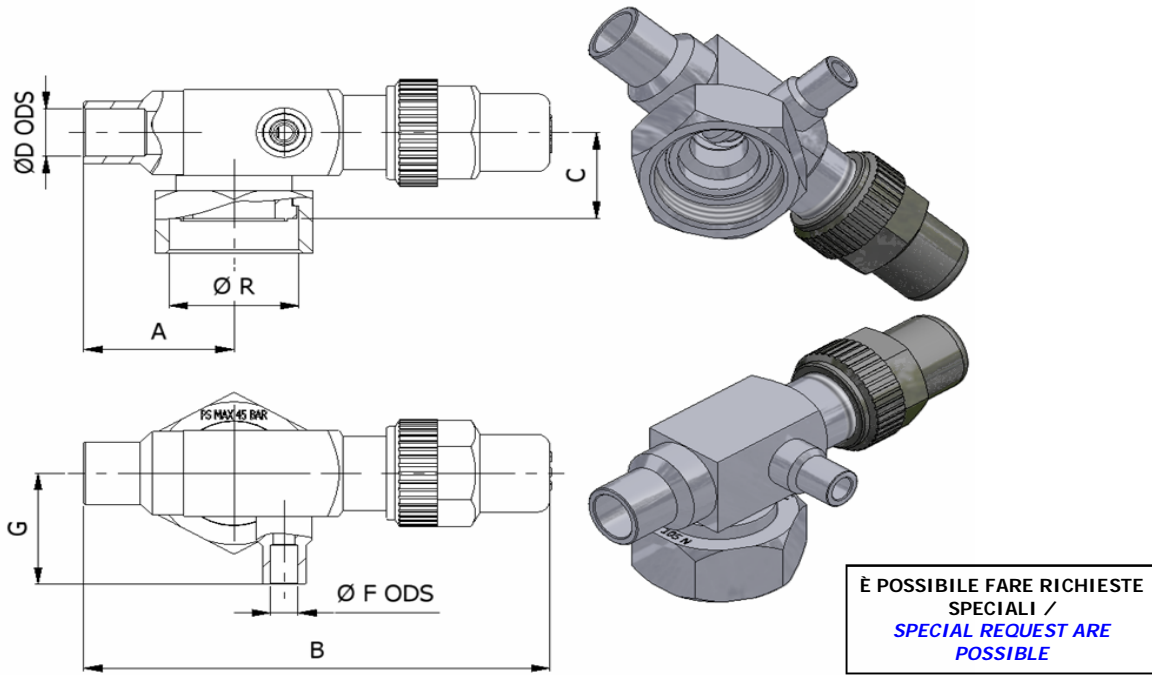
Applicazioni per refrigerazione e aria condizionata / Application for refrigeration and air conditioning

Prodotti secondo - Direttiva PED 2014/68/UE . / Products according to - 2014/68/EU Directive PED.

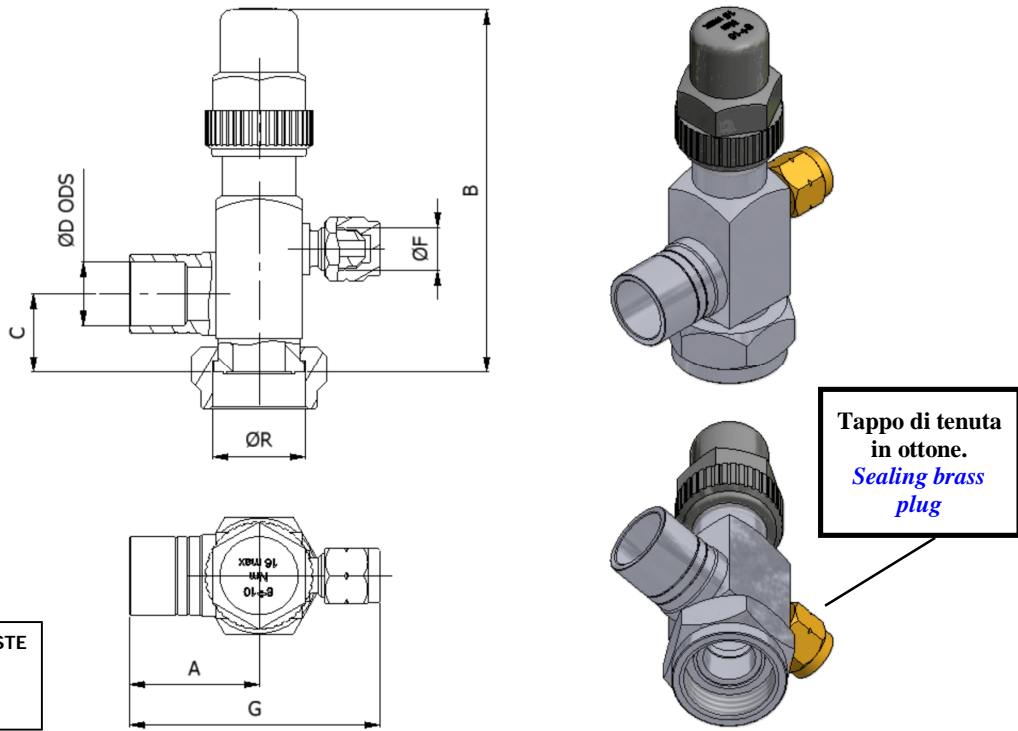
Trattamento antiossidante di Nichelatura / Anti-oxidatio Nickel treatment.

La ditta allo scopo di migliorare la propria produzione si riserva il diritto di apportare modifiche senza preavviso / The company to improve production reserves the right of modifying without notice.





	TIPO/TYPE	ATTACCO ØR CON- NECTION ØR	ØD ODS (mm)	ØD ODS (inches)	ØF ODS (mm)	ØF ODS (inches)	A	B	C	G	□
ART.4 PAR.3	R041/FA6-FA2/S	ROVALOCK 1"	10	/	6	/	30	97	20	28	20
	R042/FA7-FA2/S	ROVALOCK 1-1/4"	12	/	6	/	35	107	22	29	22
	R043/FB2-FA2/S	ROVALOCK 1-3/4"	16	5/8"	6	/	44	137	26	31	28



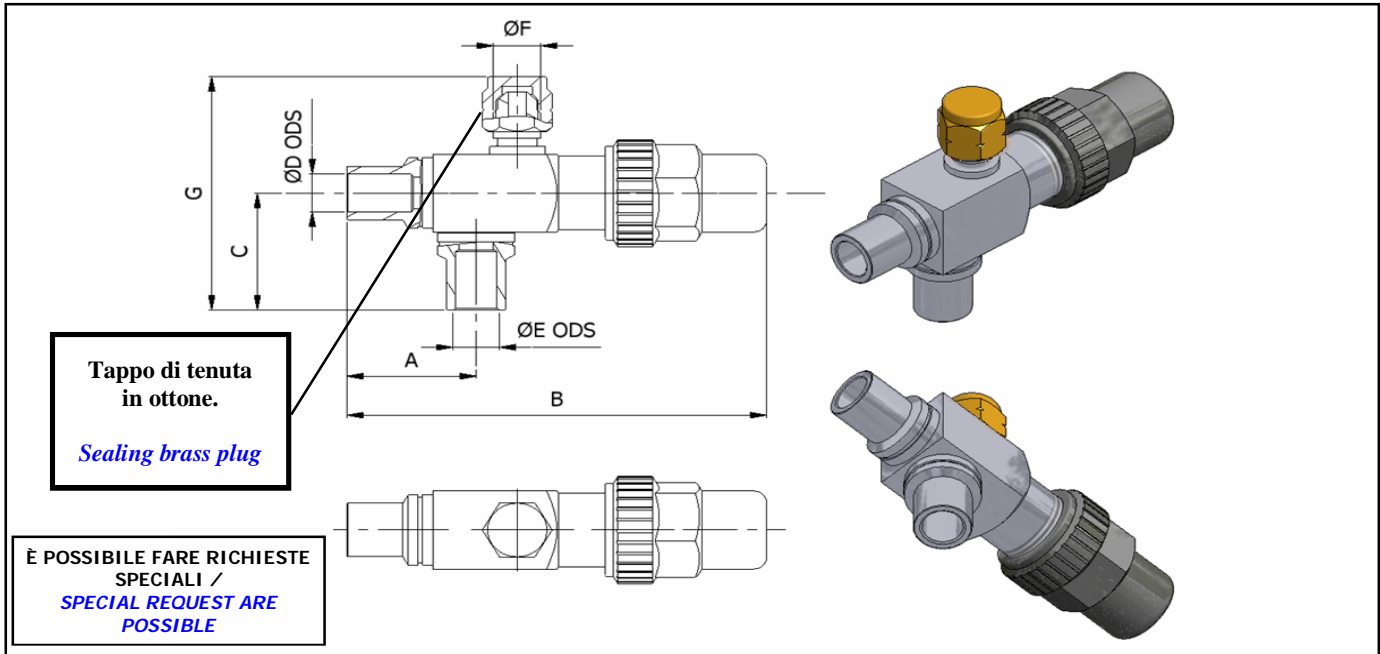
	TIPO/TYPE	ATTACCO ØR CON- NECTION ØR	ØD ODS (mm)	ØD ODS (inches)	A	B	C	G	□
ART.4 PAR.3	R100/R2/FA7/V	ROVALOCK 1"	12	/	28	87	20	58	20
	R101/R2/FB2/V	ROVALOCK 1"	16	5/8"	33	93	20	64	22
	R102/R3/FB3/V	ROVALOCK 1-1/4"	18	/	36	125	32	70	28
	R102/R3/FB6/V	ROVALOCK 1-1/4"	22	/	36	125	32	70	28

Applicazioni per refrigerazione e aria condizionata / *Application for refrigeration and air conditioning*

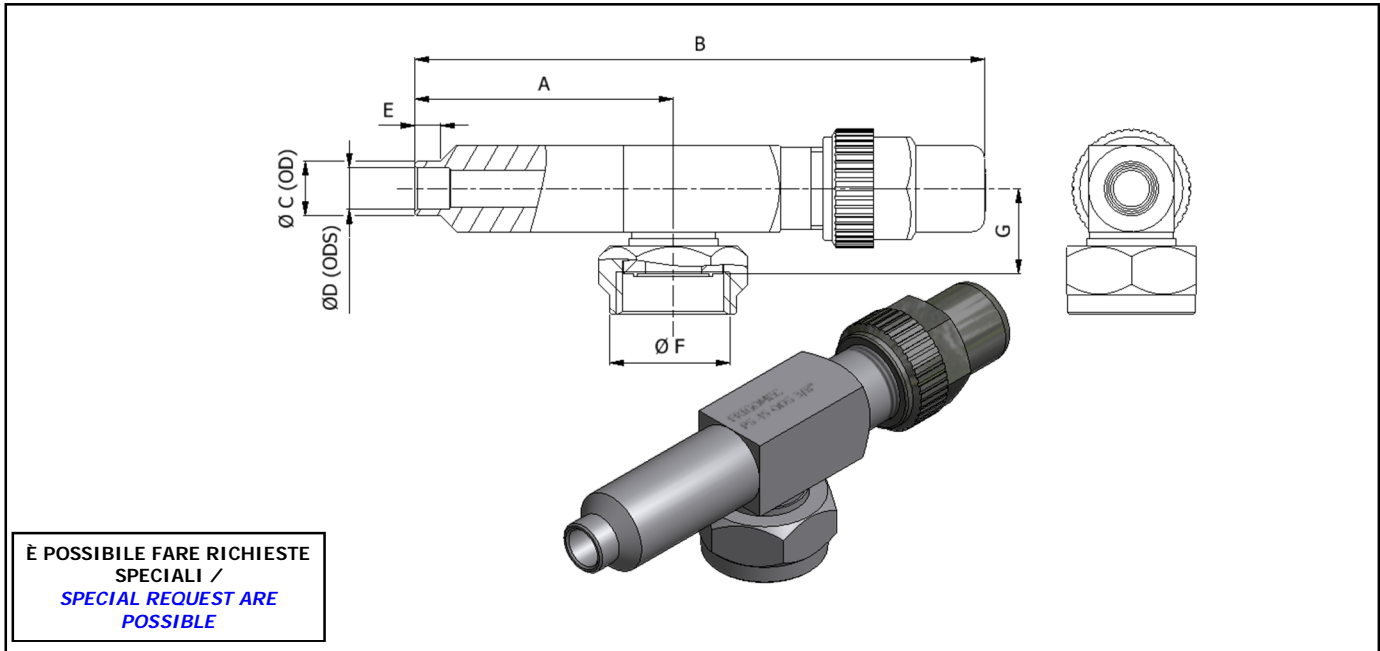
Prodotti secondo - Direttiva PED 2014/68/UE . / *Products according to - 2014/68/EU Directive PED.*

**Trattamento antiossidante di Nichelatura / *Anti-oxidatio Nickel treatment.***

La ditta allo scopo di migliorare la propria produzione si riserva il diritto di apportare modifiche senza preavviso / The company to improve production reserves the right of modifying without notice.



	TIPO/TYPE	ØD ODS (mm)	ØD ODS (inches)	ØE ODS (mm)	ØE ODS (inches)	ØF FLARE-SAE	A	B	C	G	□
ART.4 PAR.3	S040/FA5/FA5/H	/	3/8"	/	3/8"	1/4"	30	97	28	57	20
	S040/FA6/FA6/H	10	/	10	/	1/4"	30	97	28	57	20
	S041/FA7/FA7/H	12	/	12	/	1/4"	31	98	28	57	20
	S042/FB2/FB2/H	16	5/8"	16	5/8"	1/4"	37	110	33	64	22
	S043/FB6/FB6/H	22	/	22	/	1/4"	44	137	36	70	28
	S043/FB7/FB7/H	/	7/8"	/	7/8"	1/4"	44	137	36	70	28
CAT.1	S043/FC1/FC1/H	28	/	28	/	1/4"	59	181	49	86	35
	S043/FC8/FC8/H	35	1-3/8"	35	1-3/8"	1/4"	59	181	52	89	35
	S044/FD2/FD2/H	42	/	42	/	1/4"	66	189	59	99	40



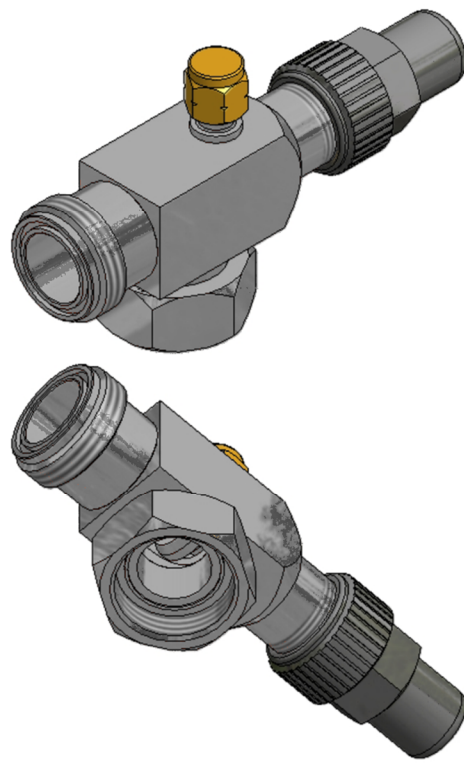
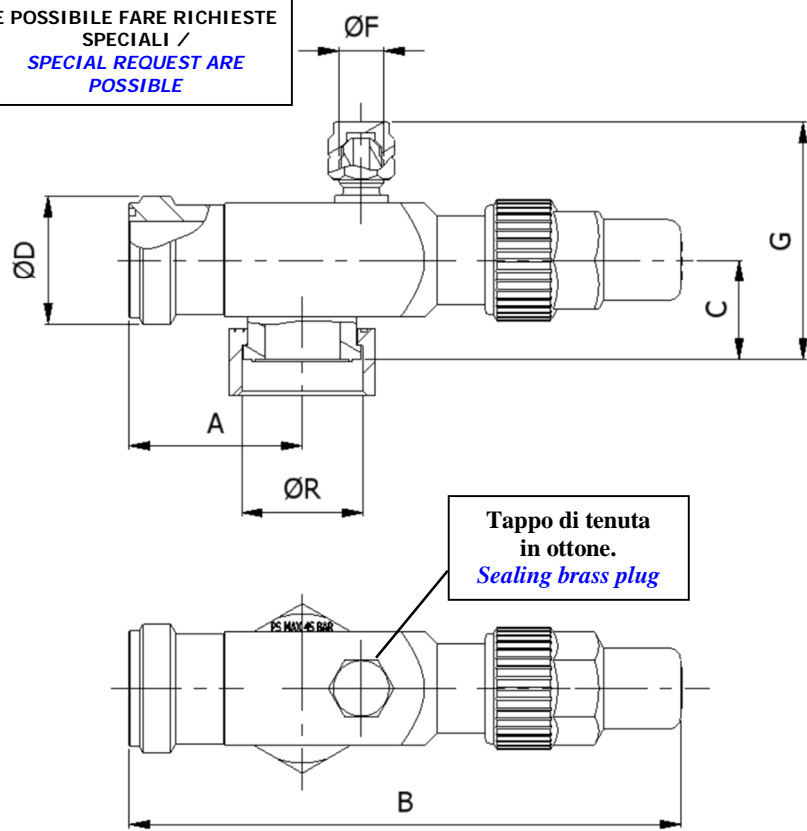
	TIPO/TYPE	ØD ODS (mm)	ØD ODS (inches)	ATTACCO Ø F CONNECTION Ø F	A	B	Ø C	E	G	□
ART.4 PAR.3	RX51/FA5	/	3/8"	ROTALOCK 1"	60	132	12.6	6	20	20

Applicazioni per refrigerazione e aria condizionata / *Application for refrigeration and air conditioning*

Prodotti secondo - Direttiva PED 2014/68/UE . / *Products according to - 2014/68/EU Directive PED.*

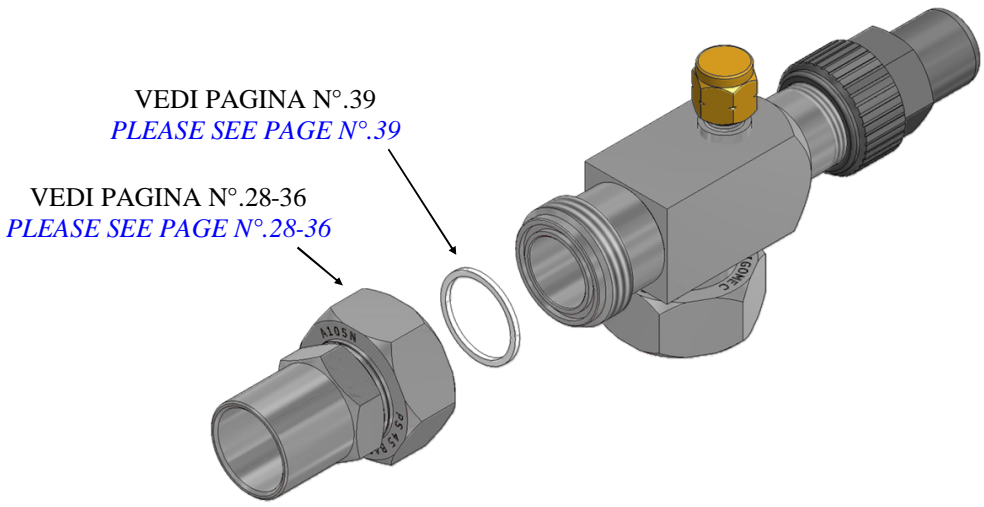
**Trattamento antiossidante di Nichelatura / *Anti-oxidatio Nickel treatment.***

È POSSIBILE FARE RICHIESTE  
SPECIALI /  
SPECIAL REQUEST ARE  
POSSIBLE



	TIPO / TYPE	ATTACCO ØR CON- NECTION ØR	ATTACCO ØD CON- NECTION ØD	ØF FLARE-SAE	A	B	C	G	□
ART.4 PAR.3	R041/R2/H	ROVALOCK 1"	ROVALOCK 1"	1/4"	34	106	21	52	22
	R042/R3/H	ROVALOCK 1-1/4"	ROVALOCK 1-1/4"	1/4"	42	135	25	59	28
CAT.1	R043/R4/H	ROVALOCK 1-3/4"	ROVALOCK 1-3/4"	1/4"	49	171	31	68	35
	R044/R4/H	ROVALOCK 1-3/4"	ROVALOCK 1-3/4"	1/4"	51	174	33	73	40
	R045/R5/H	ROVALOCK 2-1/4"	ROVALOCK 2-1/4"	1/4"	65	194	39	84	50

**Esempio di applicazione**  
**Application example**



Applicazioni per refrigerazione e aria condizionata / *Application for refrigeration and air conditioning*  
Prodotti secondo - Direttiva PED 2014/68/UE . / *Products according to - 2014/68/EU Directive PED.*

**Trattamento antiossidante di Nichelatura / *Anti-oxidatio Nickel treatment.***

La ditta allo scopo di migliorare la propria produzione si riserva il diritto di apportare modifiche senza preavviso / The company to improve production reserves the right of modifying without notice.

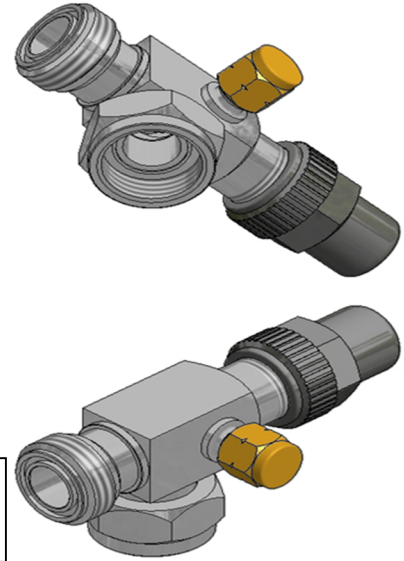
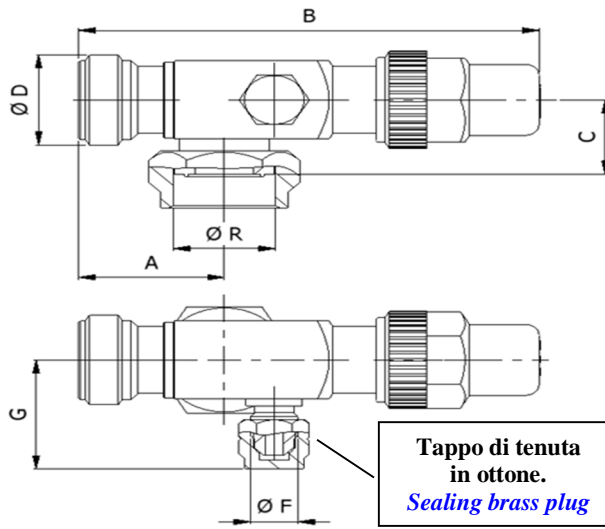
Valvole Rotalock / Rotalock  
con presa Sinistra e Sinistra/Destra



Rotalock Valves / Rotalock  
with Left gauge and Left/Right gauge

È POSSIBILE FARE RICHIESTE SPECIALI /  
SPECIAL REQUEST ARE POSSIBLE

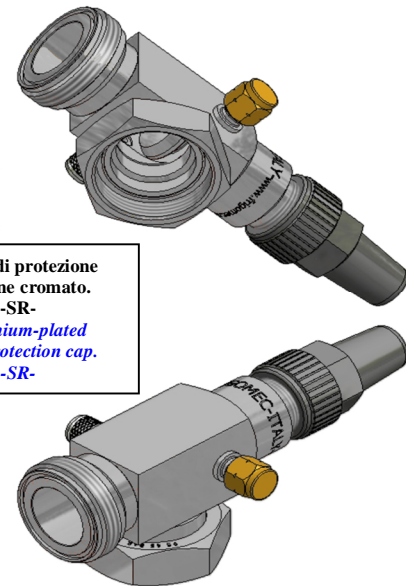
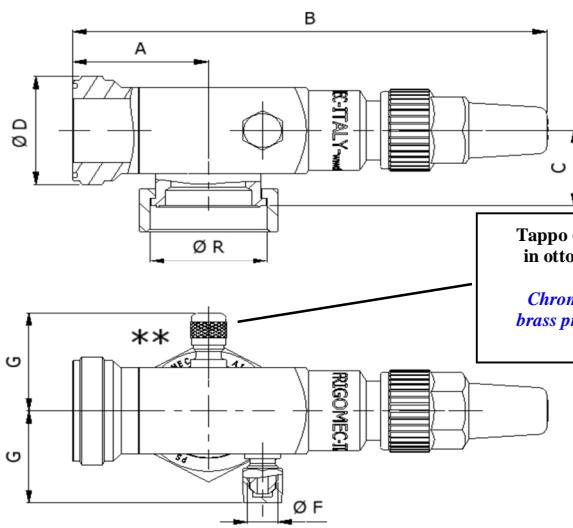
VALVOLE FORNITE SENZA MECCANISMO SCHRADER /  
VALVES SUPPLIED WITHOUT MECHANISM SCHRADER



	TIPO/TYPE	ATTACCO ØR CONNEC-TION ØR	ATTACCO ØD CONNEC-TION ØD	ØF FLARE-SAE	A	B	C	G	☑
ART.4	R041/R2/S	ROVALOCK 1"	ROVALOCK 1"	1/4"	34	106	21	32	22
PAR.3	R042/R3/S	ROVALOCK 1-1/4"	ROVALOCK 1-1/4"	1/4"	43	135	25	35	28
CAT.1	R043/R4/S	ROVALOCK 1-3/4"	ROVALOCK 1-3/4"	1/4"	49	171	31	38	35
	R044/R4/S	ROVALOCK 1-3/4"	ROVALOCK 1-3/4"	1/4"	51	174	33	41	40
	R045/R5/S	ROVALOCK 2-1/4"	ROVALOCK 2-1/4"	1/4"	65	194	39	46	50

È POSSIBILE FARE RICHIESTE SPECIALI /  
SPECIAL REQUEST ARE POSSIBLE

VALVOLE FORNITE SENZA MECCANISMO SCHRADER /  
VALVES SUPPLIED WITHOUT MECHANISM SCHRADER



	TIPO/TYPE	ATTACCO ØR CONNEC-TION ØR	ATTACCO ØD CONNEC-TION ØD	ØF FLARE-SAE	A	B	C	G	☑
ART.4	R081/R2/S-D/SR	ROVALOCK 1"	ROVALOCK 1"	1/4"	34	106	21	32	22
PAR.3	R082/R3/S-D/SR	ROVALOCK 1-1/4"	ROVALOCK 1-1/4"	1/4"	43	135	25	35	28
CAT.1	R083/R4/S-D/SR	ROVALOCK 1-3/4"	ROVALOCK 1-3/4"	1/4"	49	171	31	38	35
	R084/R4/S-D/SR	ROVALOCK 1-3/4"	ROVALOCK 1-3/4"	1/4"	51	174	33	41	40
	R085/R5/S-D/SR	ROVALOCK 2-1/4"	ROVALOCK 2-1/4"	1/4"	65	194	39	46	50

\*\*Attacco di carica 1/4"Flare/Sae con filettatura interna per valvola Schrader,non escludibile in retrochiusura.

\*\*Charging connection 1/4Flare/Sae with internal threaded for valve Schrader, it isn't possible to exlcude when back seated

Applicazioni per refrigerazione e aria condizionata / Application for refrigeration and air conditioning

Prodotti secondo - Direttiva PED 2014/68/UE . / Products according to - 2014/68/EU Directive PED.

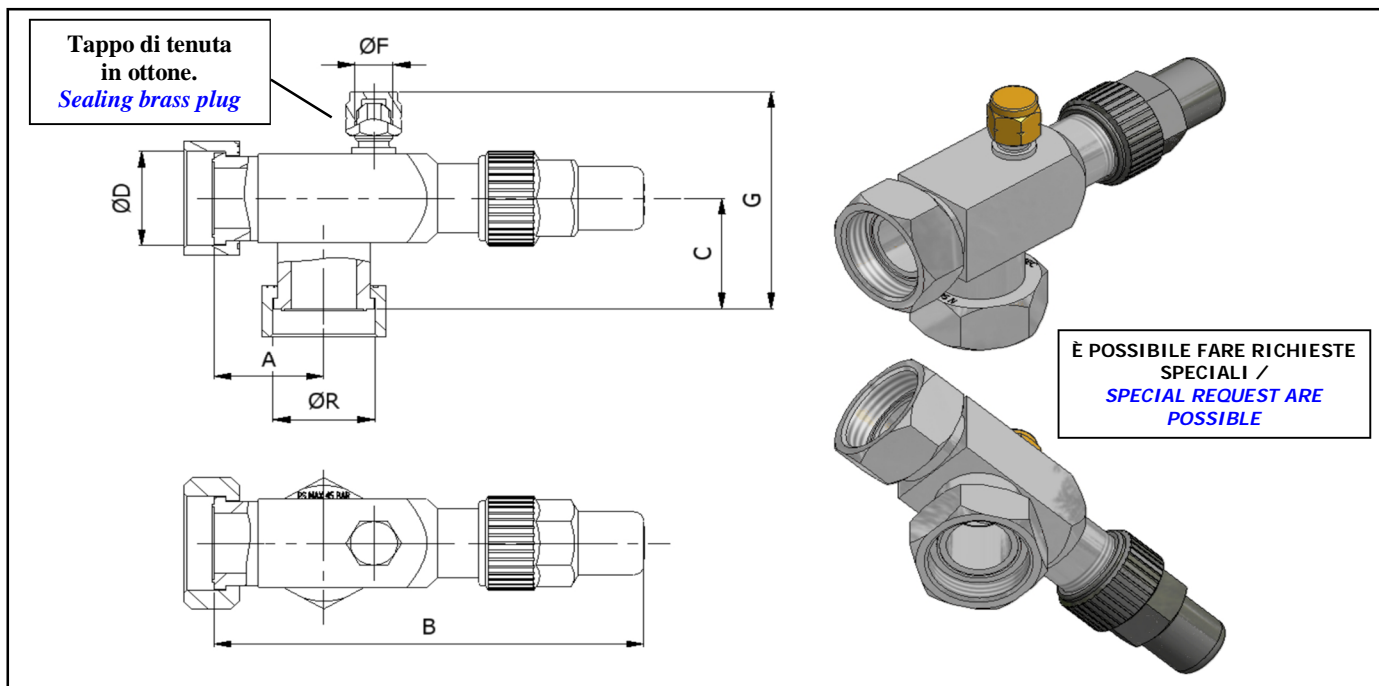
Trattamento antiossidante di Nichelatura / Anti-oxidatio Nickel treatment.



# Valvole Rotalock / Rotalock con presa Verticale

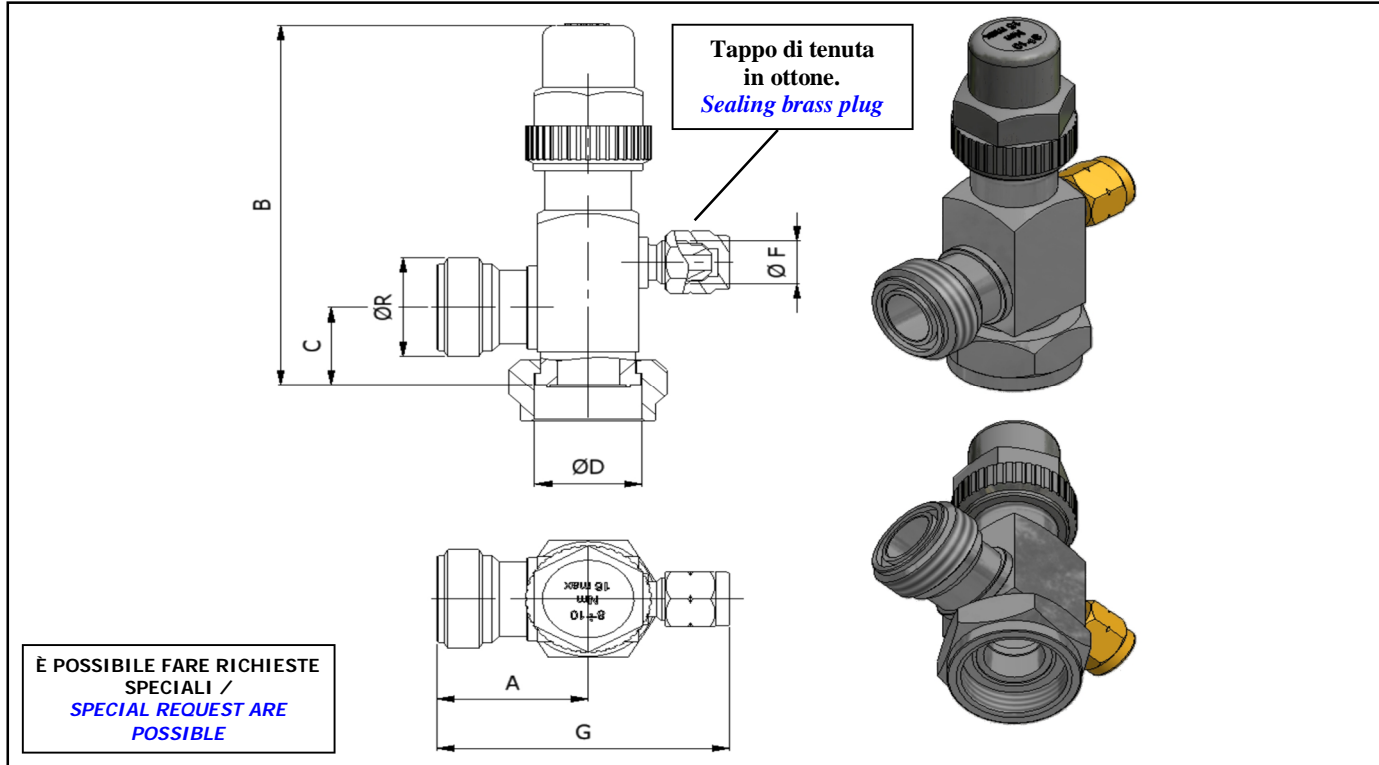


# Rotalock Valves / Rotalock with Vertical gauge



È POSSIBILE FARE RICHIESTE SPECIALI / SPECIAL REQUEST ARE POSSIBLE

	TIPO/TYPE	ATTACCO ØR CON- NECTION ØR	ATTACCO ØD CON- NECTION ØD	ØF FLARE-SAE	A	B	C	G	∇
ART.4	R041/R2/R2/H	ROVALOCK 1"	ROVALOCK 1"	1/4"	20	92	32	63	22
PAR.3	R042/R3/R3/H	ROVALOCK 1-1/4"	ROVALOCK 1-1/4"	1/4"	35	125	35	69	28
CAT.1	R043/R4/R4/H	ROVALOCK 1-3/4"	ROVALOCK 1-3/4"	1/4"	38	160	42	79	35



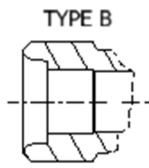
È POSSIBILE FARE RICHIESTE SPECIALI / SPECIAL REQUEST ARE POSSIBLE

	TIPO/TYPE	ATTACCO ØR CON- NECTION ØR	ATTACCO ØD CON- NECTION ØD	ØF FLARE-SAE	A	B	C	G	∇
ART.4 PAR.3	R110/R2/R2/V	ROVALOCK 1"	ROVALOCK 1"	1/4"	20	92	32	63	22

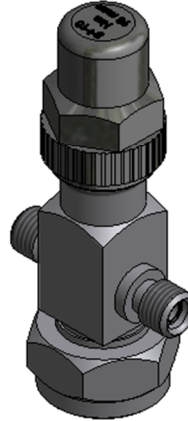
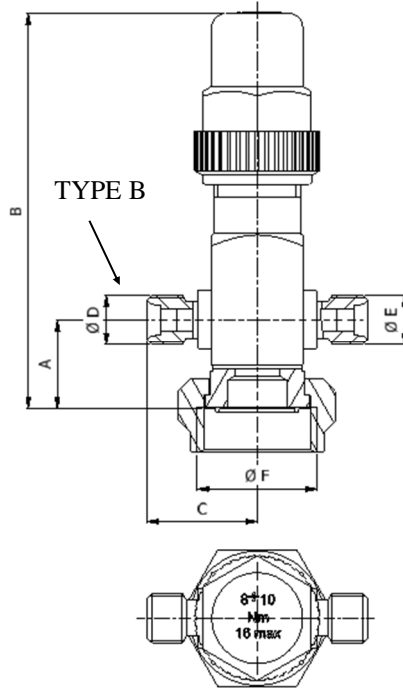
Applicazioni per refrigerazione e aria condizionata / *Application for refrigeration and air conditioning*  
 Prodotti secondo - Direttiva PED 2014/68/UE . / *Products according to - 2014/68/EU Directive PED.*

**Trattamento antiossidante di Nichelatura / *Anti-oxidatio Nickel treatment.***

La ditta allo scopo di migliorare la propria produzione si riserva il diritto di apportare modifiche senza preavviso / The company to improve production reserves the right of modifying without notice.

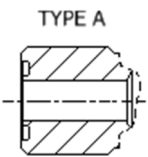


Norm: IMACA STANDARD 305



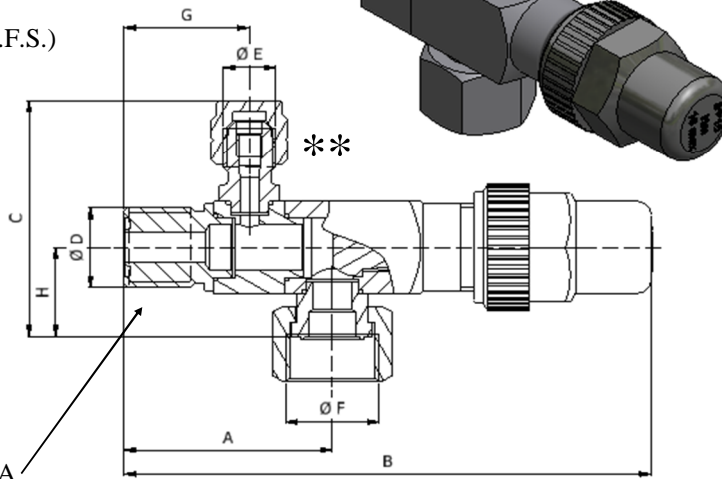
È POSSIBILE FARE RICHIESTE SPECIALI / SPECIAL REQUEST ARE POSSIBLE

	TIPO/TYPE	O.R.F.S. Ø D	O.R.F.S. Ø E	ØF ROTALOCK	A	B	C	
ART.4 PAR.3	R100/F5/F5/V/H	7/16" 20 UNF	7/16" 20 UNF	1"	20	87	24	20



Tappo di tenuta in ottone.  
Sealing brass plug

Norm: SAE J1453 (O.R.F.S.)



È POSSIBILE FARE RICHIESTE SPECIALI / SPECIAL REQUEST ARE POSSIBLE  
VALVOLE FORNITE SENZA MECCANISMO SCHRADER / VALVES SUPPLIED WITHOUT MECHANISM SCHRADER

	TIPO/TYPE	O.R.F.S. Ø D	Ø E FLARE-SAE	ØF ROTALOCK	A	B	G	H	C	
ART.4 PAR.3	R009/F1/H+M	11/16" 16 UNF	1/4"	3/4"	44	111	26.5	19	51	20

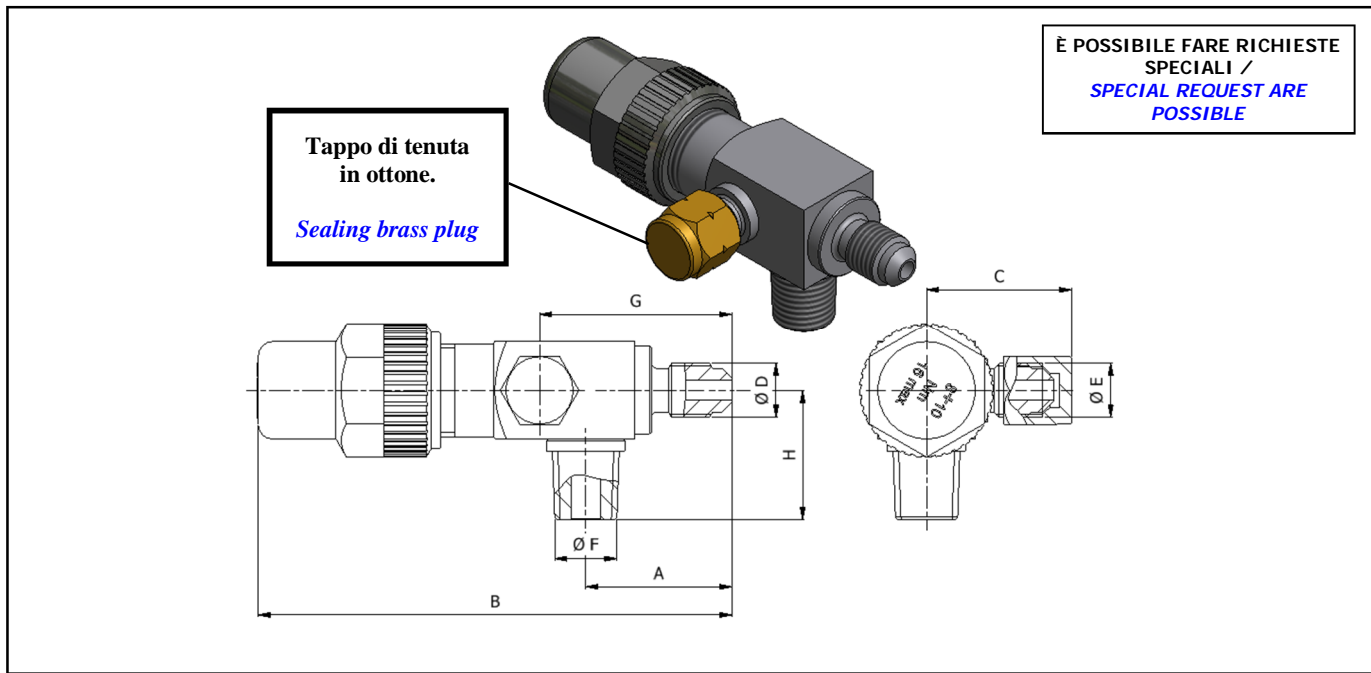
\*\*Attacco di carica 1/4"Flare/Sae con filettatura interna per valvola Schrader, non escludibile in retrochiusura.

\*\*Charging connection 1/4"Flare/Sae with internal threaded for valve Schrader, it isn't possible to exclude when back seated

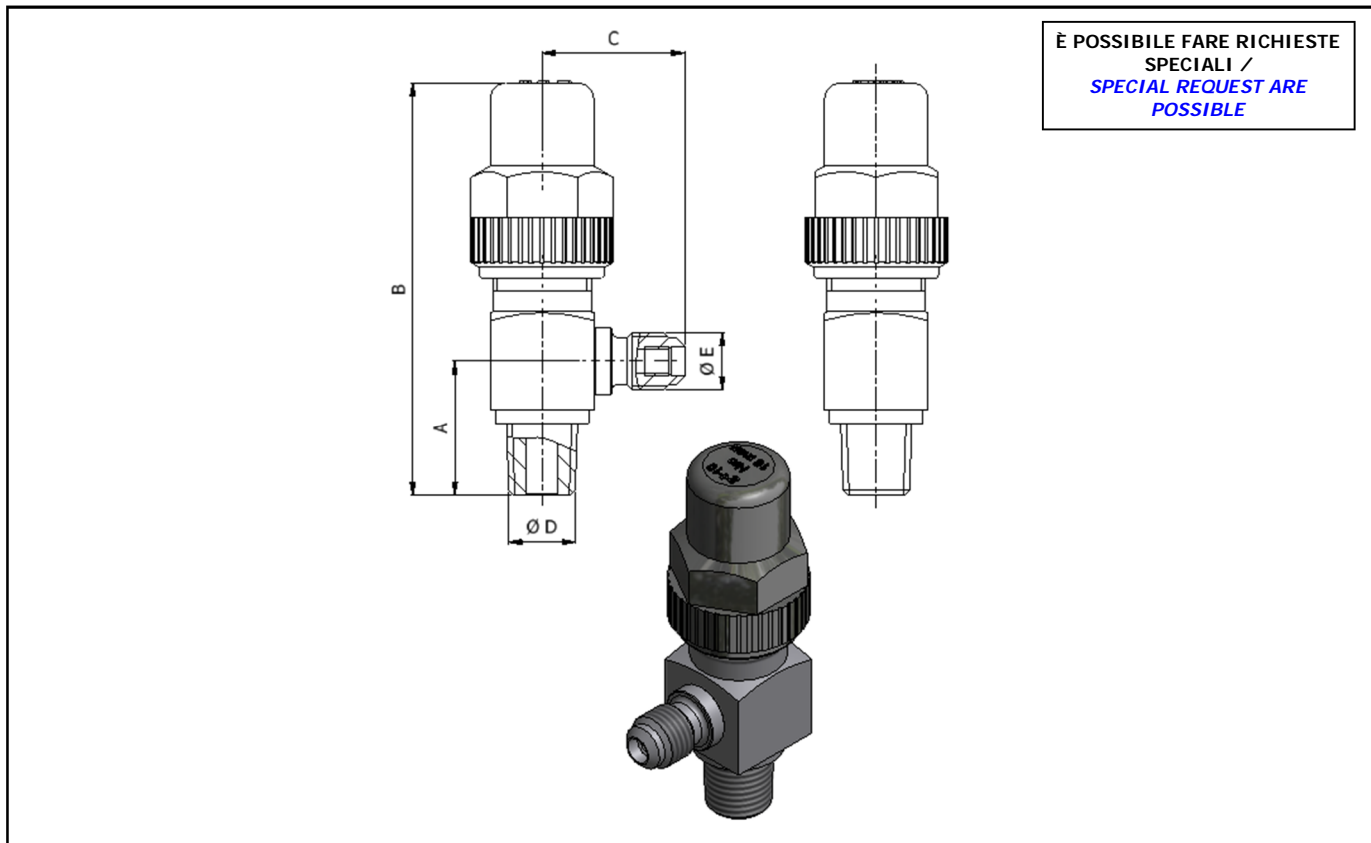
Applicazioni per refrigerazione e aria condizionata / Application for refrigeration and air conditioning

Prodotti secondo - Direttiva PED 2014/68/UE . / Products according to - 2014/68/EU Directive PED.

Trattamento antiossidante di Nichelatura / Anti-oxidatio Nickel treatment.



	TIPO/TYPE	Ø D FLARE-SAE	Ø E FLARE-SAE	Ø F NPT	A	B	C	
ART.4 PAR.3	N001/T1/G2/D	7/16" 20 UNF	7/16" 20 UNF	1/4"	30	97	30	20

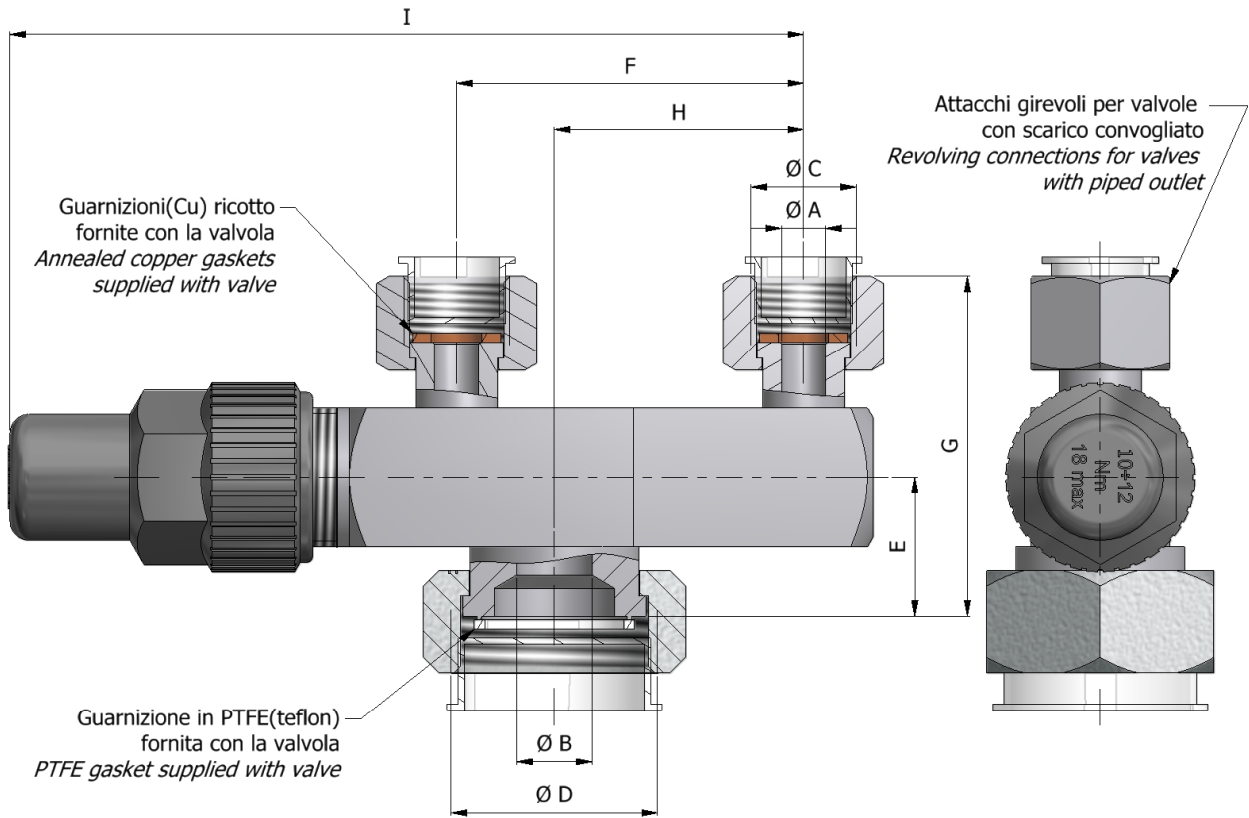


	TIPO/TYPE	Ø D NPT	Ø E FLARE-SAE	A	B	C	
ART.4 PAR.3	F005/G2/V	1/4"	7/16" 20 UNF	26	80	27	20

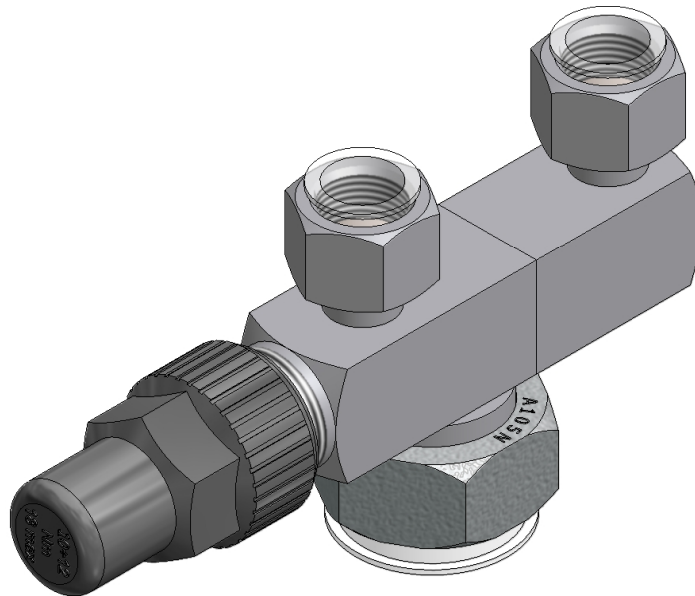
Applicazioni per refrigerazione e aria condizionata / *Application for refrigeration and air conditioning*  
 Prodotti secondo - Direttiva PED 2014/68/UE . / *Products according to - 2014/68/EU Directive PED.*

**Trattamento antiossidante di Nichelatura / *Anti-oxidatio Nickel treatment.***

La ditta allo scopo di migliorare la propria produzione si riserva il diritto di apportare modifiche senza preavviso / The company to improve production reserves the right of modifying without notice.



**Serie a 60 bar**  
*60 bar series*



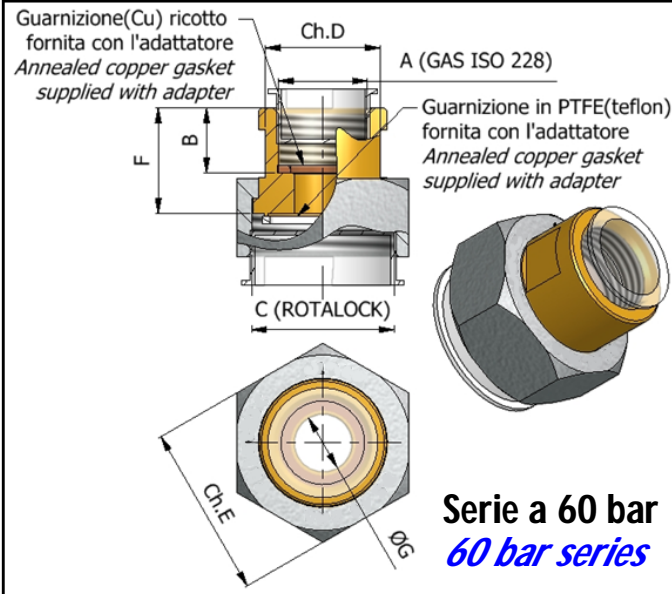
	TIPO/TYPE	ATTACCO ØC CONNECTION ØC	ATTACCO ØD CONNECTION ØD	A	B	F	G	E	I	H	∇
ART.4 PAR.3	SC00/R3/B2/60	1/4" GAS	1-1/4" ROTALOCK	6	12	55	53	22	126	39.5	22
	SC00/R3/B3/60	3/8" GAS	1-1/4" ROTALOCK	7	12	55	54	22	126	39.5	22
	SC00/R3/B4/60	1/2" GAS	1-1/4" ROTALOCK	12	12	55	57	22	126	39.5	22
	SC00/R4/B7/60	3/4" GAS	1-3/4" ROTALOCK	13	18.5	70	62	26	157	48	28
	SC00/R4/B6/60	1" GAS	1-3/4" ROTALOCK	19	18.5	70	57	26	157	48	28
	SC00/R5/B8/60	1-1/4"	2-1/4" ROTALOCK	25	31	120	82.5	37	212	77	40
	SC01/R5/B8/60	1-1/4"	2-1/4" ROTALOCK	25	31	120	92.5	42	223	77	50

Applicazioni per refrigerazione e aria condizionata / *Application for refrigeration and air conditioning*

Prodotti secondo - Direttiva PED 2014/68/UE . / *Products according to - 2014/68/EU Directive PED.*

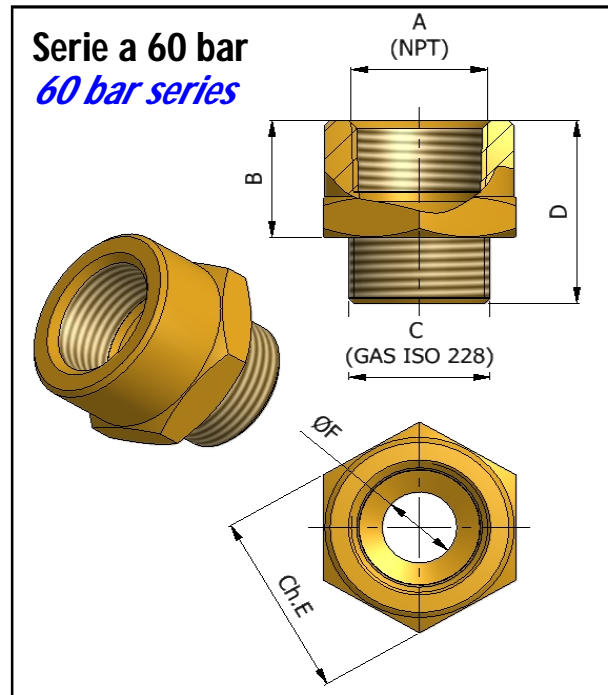
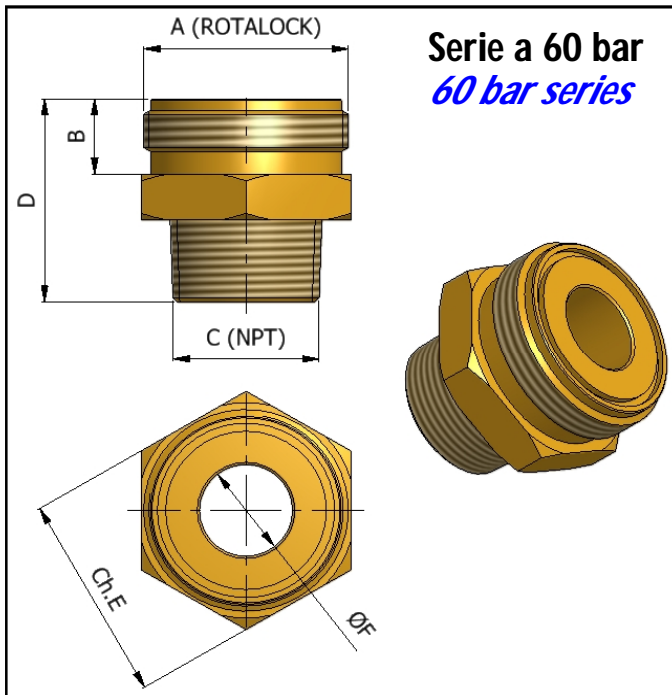
**Trattamento antiossidante di Nichelatura / *Anti-oxidatio Nickel treatment.***





	TIPO/TYPE	A	B	C	Ch.D	Ch.E	F	ØG
ART.4 PAR.3	DR020/B2	1/4"	9.5	1-1/4"	24	36	22	6
	DR020/B3	3/8"	10.5	1-1/4"	24	36	22	8
	DR020/B4	1/2"	13.5	1-1/4"	24	36	22	12
	DR030/B7	3/4"	14.5	1-3/4"	36	50	22	14
	DR030/B6	1"	19	1-3/4"	36	50	25	19

	TIPO/TYPE	A	B	C	Ch.D	Ch.E	ØF
ART.4 PAR.3	DR000/G1	1/8"	19	3/4"	13	22	8.3
	DR010/G2	1/4"	19	1"	17	30	10.7
	DR020/G3	3/8"	22	1-1/4"	24	36	13.9
	DR020/G4	1/2"	22	1-1/4"	24	36	17.5



	TIPO/TYPE	A	B	C	D	Ch.E	F
ART.4 PAR.3	RS019/R3/G4	1-1/4"	16.5	1/2"	38	32	12
	RS020/R4/G6	1-3/4"	16.5	3/4"	41.5	45	18
	RS021/R4/G8	1-3/4"	16.5	1"	44.5	45	20
	RS022/R5/G9	2-1/4"	16.5	1-1/4"	46.5	60	27

	TIPO/TYPE	A	B	C	D	Ch.E	F
ART.4 PAR.3	NG000/B2/G2	1/4"	21	1/4"	31	22	6
	NG001/B3/G3	3/8"	21	3/8"	32	24	8
	NG002/B4/G4	1/2"	23	1/2"	38	30	12
	NG003/B7/G6	3/4"	23	3/4"	36	36	14
	NG004/B6/G8	1"	26	1"	44	41	19
NG005/B8/G9	1-1/4"	28	1-1/4"	45	52	27	

Adattatori girevoli per valvole con scarico convogliato  
**Revolving adaptors for valves with piped outlet**

Applicazioni per refrigerazione e aria condizionata / *Application for refrigeration and air conditioning*

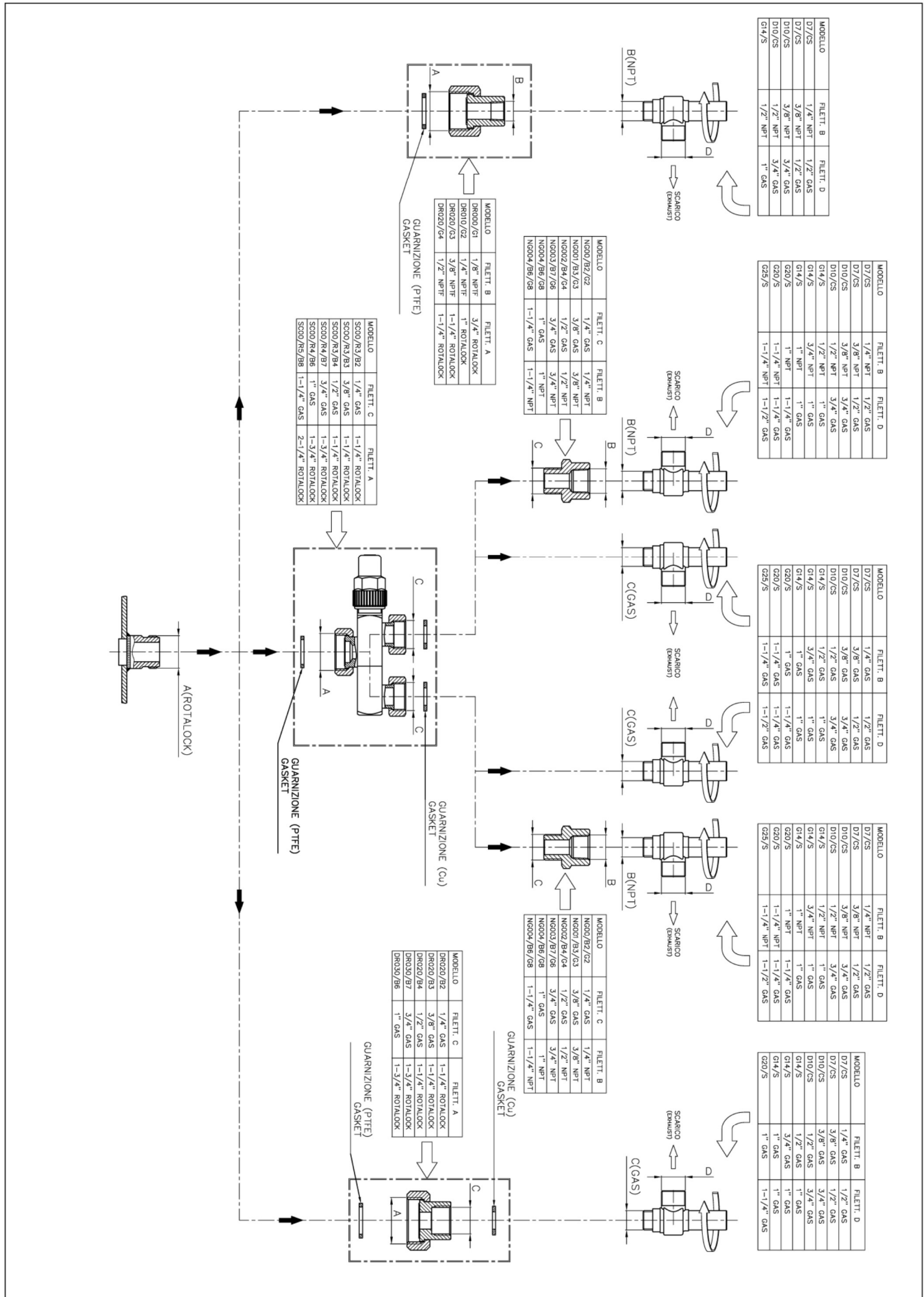
Prodotti secondo - Direttiva PED 2014/68/UE . / *Products according to - 2014/68/EU Directive PED.*

Trattamento antiossidante di Nichelatura (solo ghiera per serie tipo DR)  
*Anti-oxidatio Nickel treatment. (only metal ring for serial type DR)*

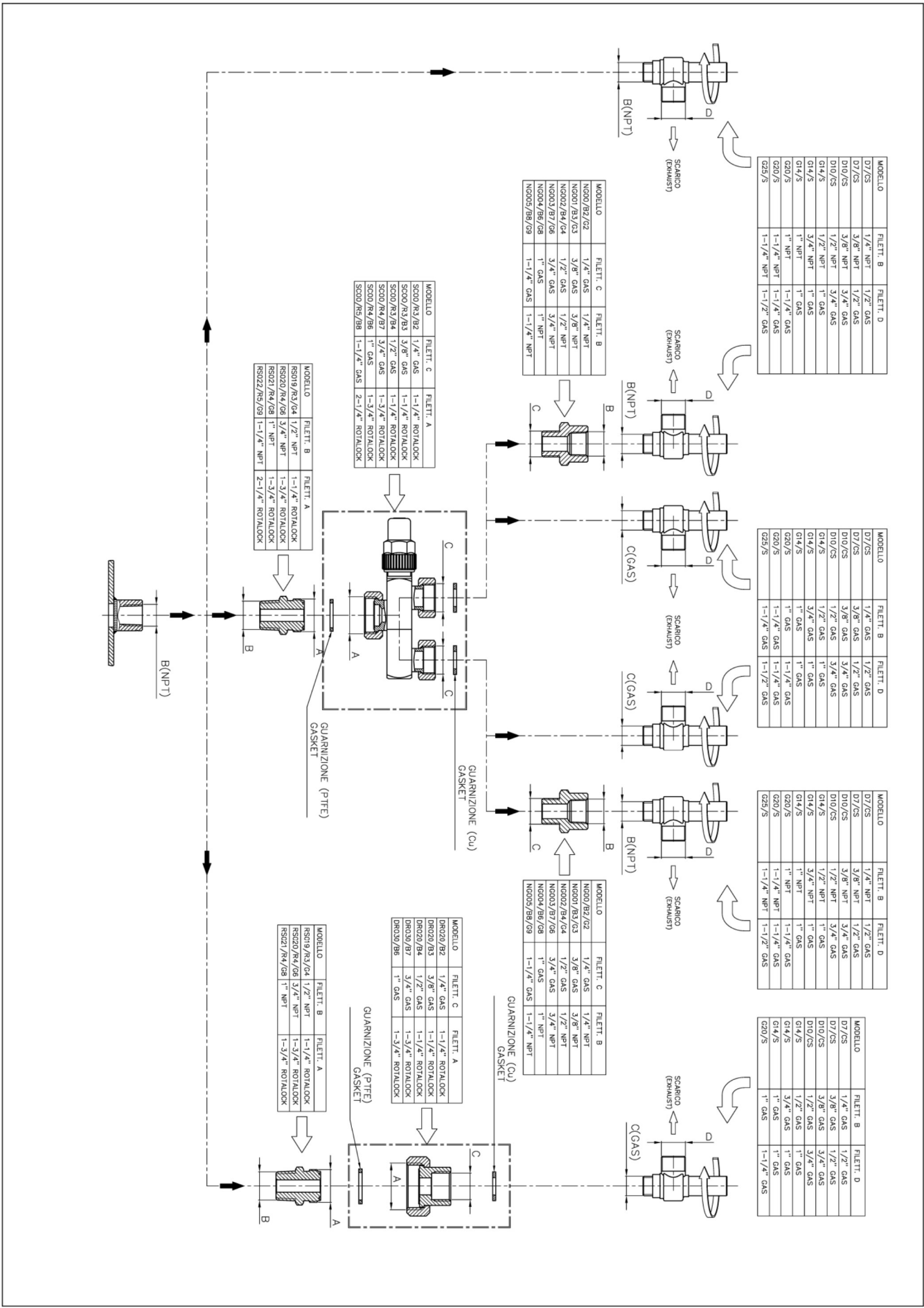
# Schema delle possibili combinazioni di montaggio



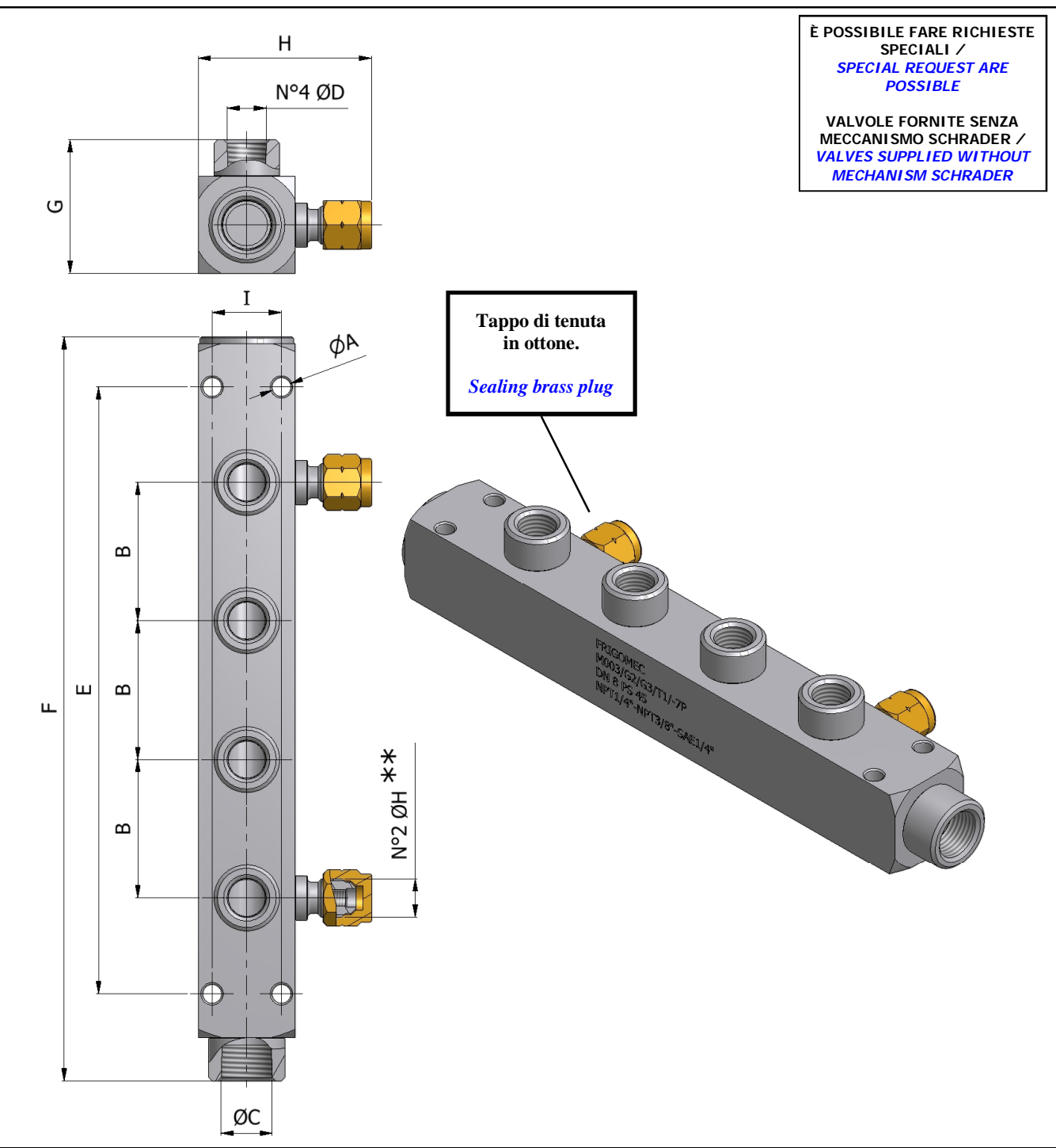
# Diagram of the possible combinations of assemblies



La ditta allo scopo di migliorare la propria produzione si riserva il diritto di apportare modifiche senza preavviso / The company to improve production reserves the right of modifying without notice.



La ditta allo scopo di migliorare la propria produzione si riserva il diritto di apportare modifiche senza preavviso / The company to improve production reserves the right of modifying without notice.



È POSSIBILE FARE RICHIESTE SPECIALI /  
 SPECIAL REQUEST ARE POSSIBLE

VALVOLE FORNITE SENZA MECCANISMO SCHRADER /  
 VALVES SUPPLIED WITHOUT MECHANISM SCHRADER

Tappo di tenuta in ottone.  
 Sealing brass plug

	TIPO/TYPE	ATTACCO ØC CONNECTION ØC	ATTACCO ØD CONNECTION ØD	ØH FLARE-SAE SCHRADER	ØA	B	E	F	G	I	□
ART.4	M002/G2/G3/T1/-7P	NPT 3/8"	NPT 1/4"	1/4"	5.5	25	100	138	39	20	28
PAR.3	M003/G2/G3/T1/-7P	NPT 3/8"	NPT 1/4"	1/4"	5.5	40	175	215	39	20	28

**\*\*Attacco di carica 1/4"Flare/Sae con filettatura interna per valvola Schrader,non escludibile in retrochiusura.**  
**\*\*Charging connection 1/4Flare/Sae with internal threaded for valve Schrader, it isn't possible to exlcude when back seated**

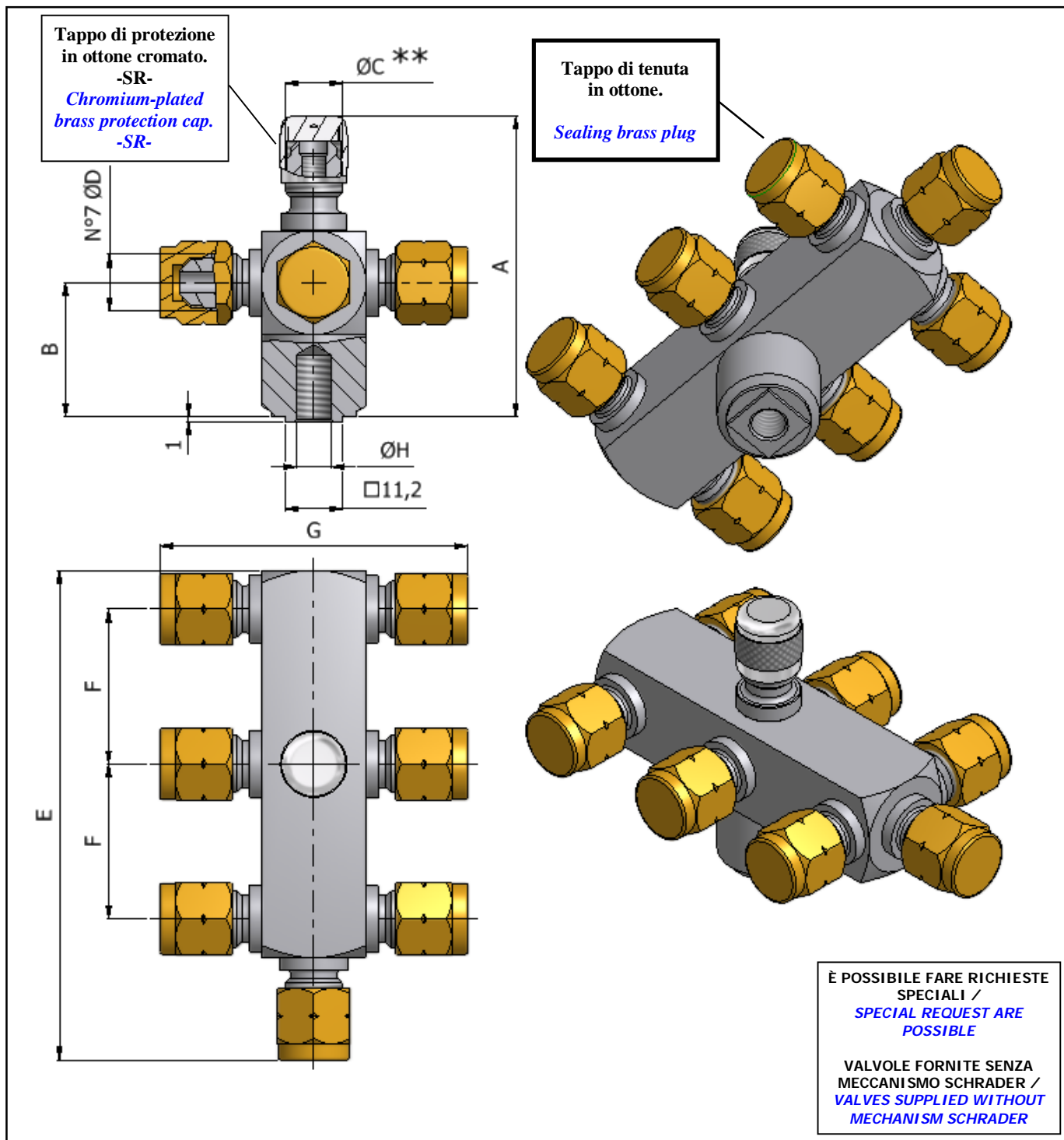
Applicazioni per refrigerazione e aria condizionata / Application for refrigeration and air conditioning

Prodotti secondo - Direttiva PED 2014/68/UE . / Products according to - 2014/68/EU Directive PED.

**Trattamento antiossidante di Nichelatura / Anti-oxidatio Nickel treatment.**

La ditta allo scopo di migliorare la propria produzione si riserva il diritto di apportare modifiche senza preavviso / The company to improve production reserves the right of modifying without notice.





	TIPO/TYPE	ØC FLARE-SAE SCHRADER	ØD FLARE-SAE	ATTACCO ØH CONNECTION ØH	A	B	E	F	G	
ART.4 PAR.3	M001/T1-8P	1/4"	1/4"	M8	58	26	95	30	60	20

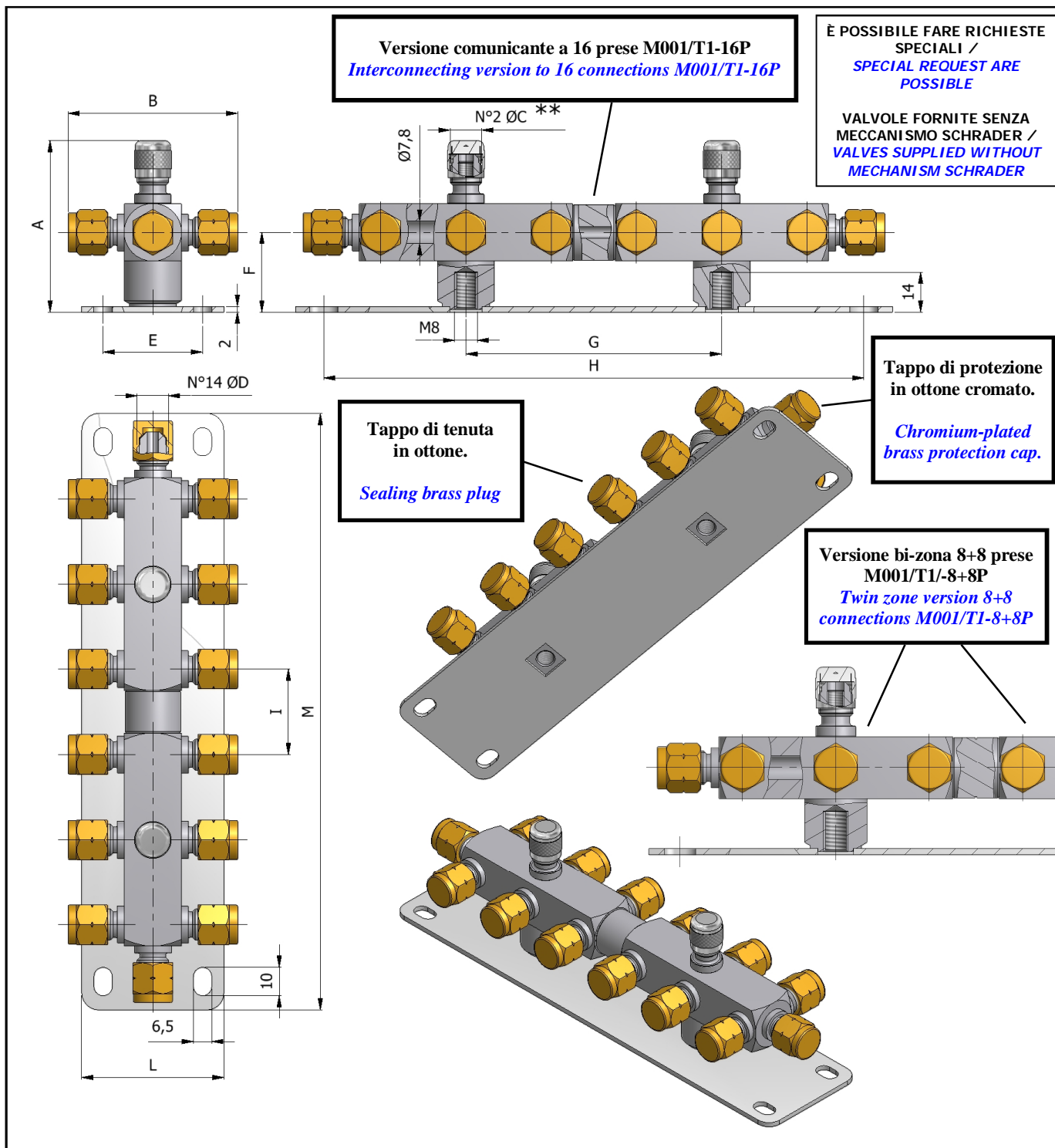
**\*\*Attacco di carica 1/4"Flare/Sae con filettatura interna per valvola Schrader,non escludibile in retrochiusura.**  
**\*\*Charging connection 1/4Flare/Sae with internal threaded for valve Schrader, it isn't possible to exlcude when back seated**

Applicazioni per refrigerazione e aria condizionata / Application for refrigeration and air conditioning

Prodotti secondo - Direttiva PED 2014/68/UE . / Products according to - 2014/68/EU Directive PED.

**Trattamento antiossidante di Nichelatura / Anti-oxidatio Nickel treatment.**

La ditta allo scopo di migliorare la propria produzione si riserva il diritto di apportare modifiche senza preavviso / The company to improve production reserves the right of modifying without notice.



	TIPO/TYPE	ØC FLARE-SAE SCHRADER	ØD FLARE-SAE	H	A	B	E	F	G	I	L	M	□
ART.4 PAR.3	M001/T1-16P	1/4"	1/4"	190	60	60	35	28	90	30	50	210	20
	M001/T1-8+8P	1/4"	1/4"	190	60	60	35	28	90	30	50	210	20

**\*\*Attacco di carica 1/4"Flare/Sae con filettatura interna per valvola Schrader,non escludibile in retrochiusura.**

**\*\*Charging connection 1/4Flare/Sae with internal threaded for valve Schrader, it isn't possible to exlcude when back seated**

Applicazioni per refrigerazione e aria condizionata / Application for refrigeration and air conditioning

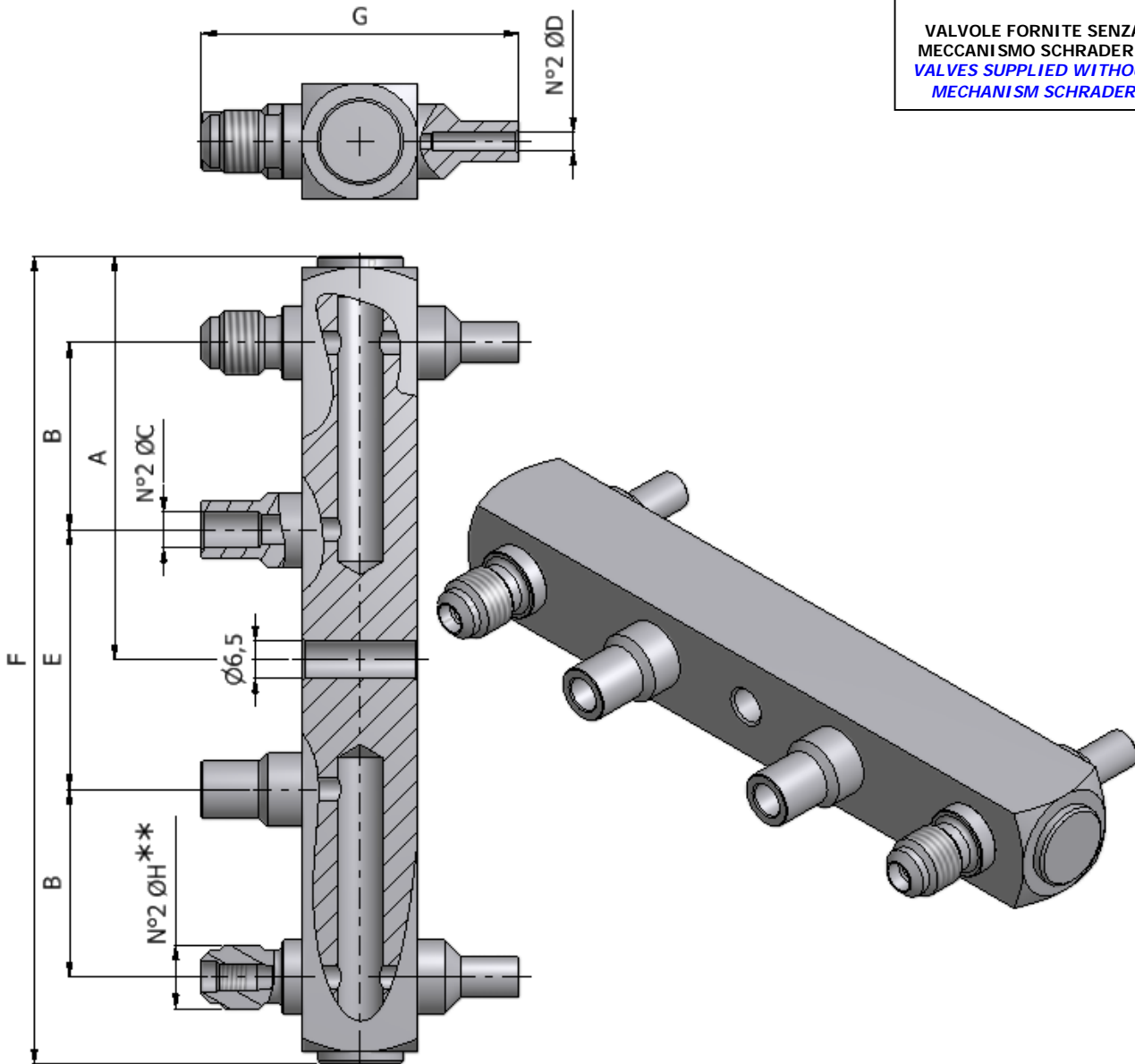
Prodotti secondo - Direttiva PED 2014/68/UE . / Products according to - 2014/68/EU Directive PED.

**Trattamento antiossidante di Nichelatura / Anti-oxidatio Nickel treatment.**

La ditta allo scopo di migliorare la propria produzione si riserva il diritto di apportare modifiche senza preavviso / The company to improve production reserves the right of modifying without notice.

È POSSIBILE FARE RICHIESTE SPECIALI /  
SPECIAL REQUEST ARE POSSIBLE

VALVOLE FORNITE SENZA MECCANISMO SCHRADER /  
VALVES SUPPLIED WITHOUT MECHANISM SCHRADER



	TIPO/TYPE	ATTACCO ØC CONNECTION ØC	ATTACCO ØD CONNECTION ØD	ATTACCO ØH CONNECTION ØH	A	B	E	F	G	
ART.4 PAR.3	M003/T1/FA2-6P	ODS 6	ODS 3 (Øi 3.3) PER CAPILLARE IN RAME FOR COPPER CAPILLARY TUBE	7/16"-20 UNF	70	32.5	45	140	55	20

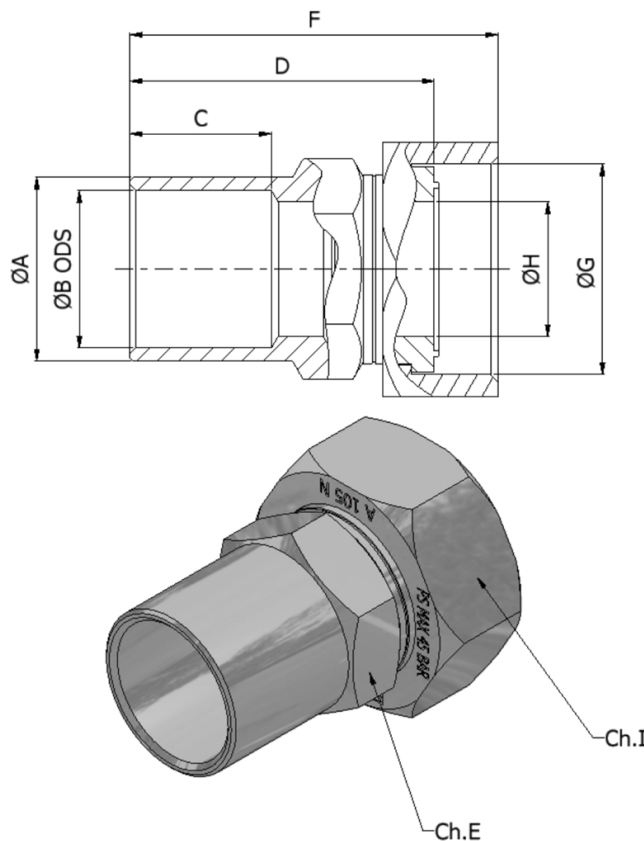
\*\*Attacco di carica 1/4"Flare/Sae con filettatura interna per valvola Schrader, non escludibile in retrochiusura.

\*\*Charging connection 1/4"Flare/Sae with internal threaded for valve Schrader, it isn't possible to exclude when back seated

Applicazioni per refrigerazione e aria condizionata / Application for refrigeration and air conditioning

Prodotti secondo - Direttiva PED 2014/68/UE . / Products according to - 2014/68/EU Directive PED.

Trattamento antiossidante di Nichelatura / Anti-oxidatio Nickel treatment.



È POSSIBILE FARE RICHIESTE  
SPECIALI /  
SPECIAL REQUEST ARE  
POSSIBLE

	TIPO/TYPE	ATTACCO ØG CON- NECTION ØG	ØB ODS (mm)	ØB ODS (Inches)	ØA	C	D	Ch.E	F	ØH	Ch.I
ART.4 PAR.3	DR000/FA4	ROTALOCK 3/4"	8	5/16"	12	10	32,5	19	42	8	22
	DR000/FA5	ROTALOCK 3/4"	/	3/8"	13,5	10	32,5	19	42	8	22
	DR000/FA6	ROTALOCK 3/4"	10	/	14	10	32,5	19	42	8	22
	DR000/FA7	ROTALOCK 3/4"	12	/	16	10	32,5	19	42	8	22
	DR000/FA8	ROTALOCK 3/4"	/	1/2"	17	10	32,5	19	42	8	22
	DR010/FA4	ROTALOCK 1"	8	5/16"	12	10	33	22	42,5	13,5	30
	DR010/FA5	ROTALOCK 1"	/	3/8"	13,5	10	33	22	42,5	13,5	30
	DR010/FA6	ROTALOCK 1"	10	/	14	10	33	22	42,5	13,5	30
	DR010/FA7	ROTALOCK 1"	12	/	16	10	33	22	42,5	13,5	30
	DR010/FA8	ROTALOCK 1"	/	1/2"	17	10	33	22	42,5	13,5	30
	DR010/FB2	ROTALOCK 1"	16	5/8"	20	15	38	22	47,5	13,5	30
	DR010/FB3	ROTALOCK 1"	18	/	22	15	38	22	47,5	13,5	30
	DR010/FB4	ROTALOCK 1"	/	3/4"	22	15	38	22	47,5	13,5	30
	DR020/FB2	ROTALOCK 1-1/4"	16	5/8"	20	15	38	27	47	19	36
DR020/FB3	ROTALOCK 1-1/4"	18	/	22	15	38	27	47	19	36	
DR020/FB4	ROTALOCK 1-1/4"	/	3/4"	23	15	38	27	47	19	36	
DR020/FB6	ROTALOCK 1-1/4"	22	/	26	20	43	27	52	19	36	
DR020/FB7	ROTALOCK 1-1/4"	/	7/8"	26	20	43	27	52	19	36	
DR020/FC1	ROTALOCK 1-1/4"	28	/	32	20	43	32	52	19	36	
DR020/FC2	ROTALOCK 1-1/4"	/	1-1/8"	32	20	43	32	52	19	36	
DR030/FB6	ROTALOCK 1-3/4"	22	/	26	20	57	38	67,5	27,5	50	
DR030/FB7	ROTALOCK 1-3/4"	/	7/8"	26	20	57	38	67,5	27,5	50	
DR030/FC1	ROTALOCK 1-3/4"	28	/	32	25	57	38	67,5	27,5	50	
DR030/FC2	ROTALOCK 1-3/4"	/	1-1/8"	32	25	57	38	67,5	27,5	50	
DR030/FC8	ROTALOCK 1-3/4"	35	/	39	25	57	42	67,5	31	50	
DR030/FD1	ROTALOCK 1-3/4"	/	1-5/8"	47	30	62	50	72,5	31	50	
DR030/FD2	ROTALOCK 1-3/4"	42	/	47	30	62	50	72,5	31	50	
CAT.1	DR040/FC8	ROTALOCK 2-1/4"	35	1-3/8"	41	25	64	50	76	40	65
	DR040/FD1	ROTALOCK 2-1/4"	/	1-5/8"	47	25	64	50	76	40	65
	DR040/FD2	ROTALOCK 2-1/4"	42	/	47	25	64	50	76	40	65
	DR040/FD7	ROTALOCK 2-1/4"	54	2-1/8"	59	25	74	50	86	40	65

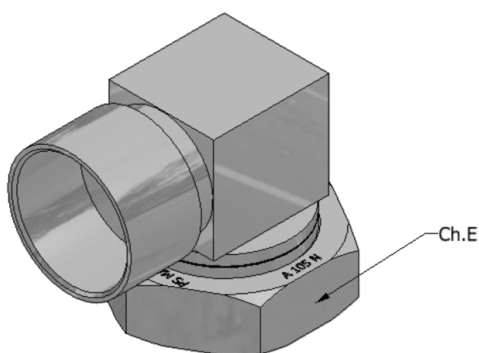
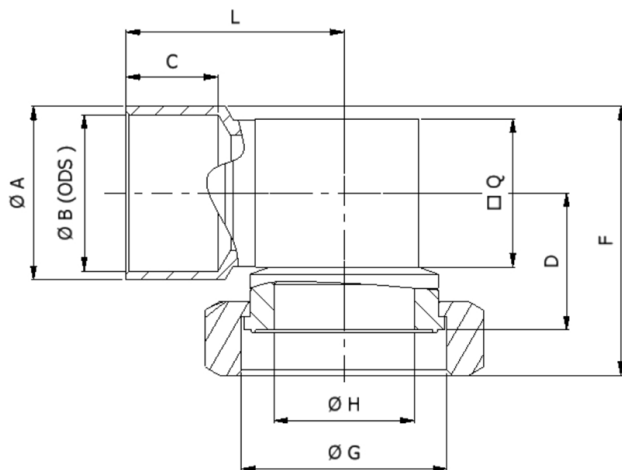
Applicazioni per refrigerazione e aria condizionata / Application for refrigeration and air conditioning

Prodotti secondo - Direttiva PED 2014/68/UE . / Products according to - 2014/68/EU Directive PED.

**Trattamento antiossidante di Nichelatura / Anti-oxidatio Nickel treatment.**

La ditta allo scopo di migliorare la propria produzione si riserva il diritto di apportare modifiche senza preavviso / The company to improve production reserves the right of modifying without notice.





È POSSIBILE FARE RICHIESTE  
SPECIALI /  
SPECIAL REQUEST ARE  
POSSIBLE

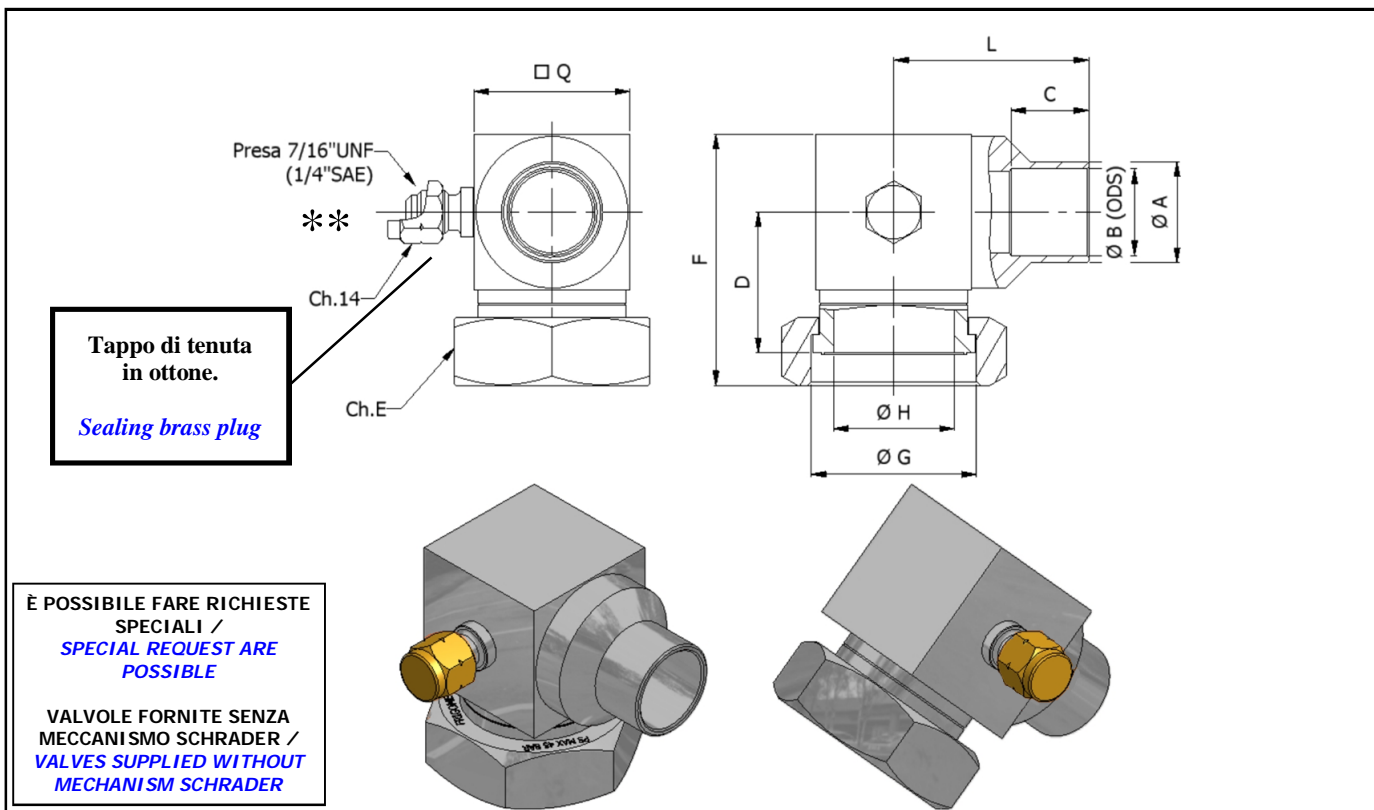
	TIPO/TYPE	ATTACCO ØG CON- NECTION ØG	ØB ODS (mm)	ØB ODS (inches)	ØA	C	D	Ch.E	F	ØH	Ø	L
ART.4 PAR.3	AR000/FA4	ROVALOCK 3/4"	8	5/16"	12	10	19.5	22	39	8	20	22
	AR000/FA5	ROVALOCK 3/4"	7	3/8"	13	10	19.5	22	39	8	20	22
	AR000/FA6	ROVALOCK 3/4"	10	/	13	10	19.5	22	39	8	20	22
	AR000/FA7	ROVALOCK 3/4"	12	/	16	10	19.5	22	39	8	20	22
	AR000/FA8	ROVALOCK 3/4"	/	1/2"	17	10	19.5	22	39	8	20	22
	AR010/FA4	ROVALOCK 1"	8	5/16"	12	10	20	30	39.5	12	20	24
	AR010/FA5	ROVALOCK 1"	7	3/8"	13	10	20	30	39.5	12	20	24
	AR010/FA6	ROVALOCK 1"	10	/	13	10	20	30	39.5	12	20	24
	AR010/FA7	ROVALOCK 1"	12	/	16	10	20	30	39.5	12	20	24
	AR010/FA8	ROVALOCK 1"	/	1/2"	17	10	20	30	39.5	12	20	24
	AR010/FB2	ROVALOCK 1"	16	5/8"	20	15	21	30	41.5	13.5	22	29
	AR010/FB3	ROVALOCK 1"	18	/	21.6	15	21	30	42	13.5	22	29
	AR010/FB4	ROVALOCK 1"	/	3/4"	23	15	21	30	42	13.5	22	35.5
	AR020/FB2	ROVALOCK 1-1/4"	16	5/8"	20	15	24	36	44	14	22	29
AR020/FB3	ROVALOCK 1-1/4"	18	/	21.6	15	24	36	44	14	22	29	
AR020/FB4	ROVALOCK 1-1/4"	7	3/4"	23	20	24	36	47	19	28	38	
AR020/FB6	ROVALOCK 1-1/4"	22	/	26	20	24	36	47	19	28	38	
AR020/FB7	ROVALOCK 1-1/4"	/	7/8"	26	20	24	36	47	19	28	38	
AR020/FC1	ROVALOCK 1-1/4"	28	/	32	20	24	36	49	19	28	48	
AR020/FC2	ROVALOCK 1-1/4"	/	1-1/8"	33	20	24	36	49	19	28	48	
AR030/FB6	ROVALOCK 1-3/4"	22	/	26	20	27	50	51.5	19	28	38	
AR030/FB7	ROVALOCK 1-3/4"	/	7/8"	26	20	27	50	51.5	19	28	38	
AR030/FC1	ROVALOCK 1-3/4"	28	/	33	25	31.5	50	59.5	27.5	35	47.5	
AR030/FC2	ROVALOCK 1-3/4"	/	1-1/8"	33	25	31.5	50	59.5	27.5	35	47.5	
AR030/FC8	ROVALOCK 1-3/4"	35	1-3/8"	39	25	32	50	62.5	31	40	59	
AR030/FD1	ROVALOCK 1-3/4"	/	1-5/8"	47	25	32	50	66	31	40	59	
AR030/FD2	ROVALOCK 1-3/4"	42	/	47	25	32	50	66	31	40	59	
CAT.1	AR040/FC1	ROVALOCK 2-1/4"	28	/	32	25	37	65	69	31	40	59
	AR040/FC8	ROVALOCK 2-1/4"	35	1-3/8"	39	25	37	65	69	31	40	59
	AR040/FU2	ROVALOCK 2-1/4"	42	/	47	25	37	65	73	31	40	59
	AR040/FD1	ROVALOCK 2-1/4"	/	1-5/8"	46	25	39	65	76	40	50	64
	AR040/FD2	ROVALOCK 2-1/4"	42	/	46	25	39	65	76	40	50	64
	AR040/FD7	ROVALOCK 2-1/4"	54	2-1/8"	59	25	39	65	76	40	50	70

Applicazioni per refrigerazione e aria condizionata / Application for refrigeration and air conditioning

Prodotti secondo - Direttiva PED 2014/68/UE . / Products according to - 2014/68/EU Directive PED.

Trattamento antiossidante di Nichelatura / Anti-oxidatio Nickel treatment.

La ditta allo scopo di migliorare la propria produzione si riserva il diritto di apportare modifiche senza preavviso / The company to improve production reserves the right of modifying without notice.



È POSSIBILE FARE RICHIESTE SPECIALI /  
SPECIAL REQUEST ARE POSSIBLE

VALVOLE FORNITE SENZA MECCANISMO SCHRADER /  
VALVES SUPPLIED WITHOUT MECHANISM SCHRADER

	TIPO/TYPE	ATTACCO ØG CON- NECTION ØG	ØB ODS (mm)	ØB ODS (inches)	ØA	C	D	Ch.E	F	ØH	Q	L
ART.4 PAR.3	AR000/FA4/D	ROTALOCK 3/4"	8	5/16"	12	10	19.5	22	39	8	20	22
	AR000/FA5/D	ROTALOCK 3/4"	/	3/8"	13	10	19.5	22	39	8	20	22
	AR000/FA6/D	ROTALOCK 3/4"	10	/	13	10	19.5	22	39	8	20	22
	AR000/FA7/D	ROTALOCK 3/4"	12	/	16	10	19.5	22	39	8	20	22
	AR000/FA8/D	ROTALOCK 3/4"	/	1/2"	17	10	19.5	22	39	8	20	22
	AR010/FA4/D	ROTALOCK 1"	8	5/16"	12	10	20	30	39.5	12	20	24
	AR010/FA5/D	ROTALOCK 1"	/	3/8"	13	10	20	30	39.5	12	20	24
	AR010/FA6/D	ROTALOCK 1"	10	/	13	10	20	30	39.5	12	20	24
	AR010/FA7/D	ROTALOCK 1"	12	/	16	10	20	30	39.5	12	20	24
	AR010/FA8/D	ROTALOCK 1"	/	1/2"	17	10	20	30	39.5	12	20	24
	AR010/FB2/D	ROTALOCK 1"	16	5/8"	20	15	21	30	41.5	13.5	22	29
	AR010/FB3/D	ROTALOCK 1"	18	/	21.6	15	21	30	42	13.5	22	29
	AR010/FB4/D	ROTALOCK 1"	/	3/4"	23	15	21	30	42	13.5	22	35.5
	AR020/FB2/D	ROTALOCK 1-1/4"	16	5/8"	20	15	24	36	44	14	22	29
	AR020/FB3/D	ROTALOCK 1-1/4"	18	/	21.6	15	24	36	44	14	22	29
	AR020/FB4/D	ROTALOCK 1-1/4"	/	3/4"	23	20	24	36	47	19	28	38
AR020/FB6/D	ROTALOCK 1-1/4"	22	/	26	20	24	36	47	19	28	38	
AR020/FB7/D	ROTALOCK 1-1/4"	/	7/8"	26	20	24	36	47	19	28	38	
AR020/FC1/D	ROTALOCK 1-1/4"	28	/	32	20	24	36	49	19	28	48	
AR020/FC2/D	ROTALOCK 1-1/4"	/	1-1/8"	33	20	24	36	49	19	28	48	
CAT.1	AR030/FB6/D	ROTALOCK 1-3/4"	22	/	26	20	27	50	51.5	19	28	38
	AR030/FB7/D	ROTALOCK 1-3/4"	/	7/8"	26	20	27	50	51.5	19	28	38
	AR030/FC1/D	ROTALOCK 1-3/4"	28	/	33	25	31.5	50	59.5	27.5	35	47.5
	AR030/FC2/D	ROTALOCK 1-3/4"	/	1-1/8"	33	25	31.5	50	59.5	27.5	35	47.5
	AR030/FS6/D	ROTALOCK 1-3/4"	22	/	26	20	32	50	62.5	31	40	50
	AR030/FC8/D	ROTALOCK 1-3/4"	35	1-3/8"	39	25	32	50	62.5	31	40	59
	AR030/FD1/D	ROTALOCK 1-3/4"	/	1-5/8"	47	25	32	50	66	31	40	59
	AR030/FD2/D	ROTALOCK 1-3/4"	42	/	47	25	32	50	66	31	40	59
	AR040/FC8/D	ROTALOCK 2-1/4"	35	1-3/8"	39	25	37	65	69	31	40	59
	AR040/FD1/D	ROTALOCK 2-1/4"	/	1-5/8"	46	25	39	65	76	40	50	64
	AR040/FD2/D	ROTALOCK 2-1/4"	42	/	46	25	39	65	76	40	50	64
	AR040/FD7/D	ROTALOCK 2-1/4"	54	2-1/8"	59	25	39	65	76	40	50	70

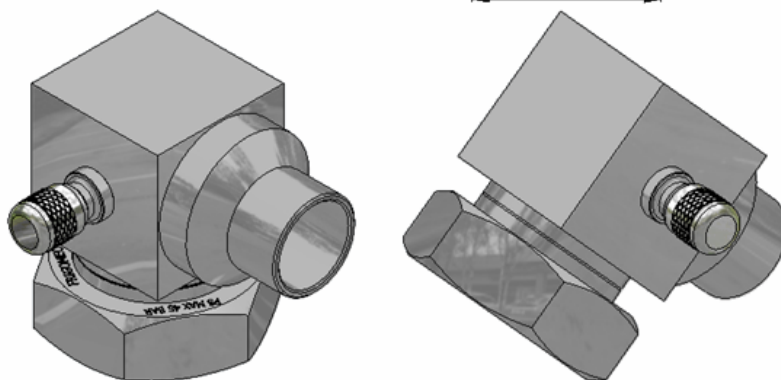
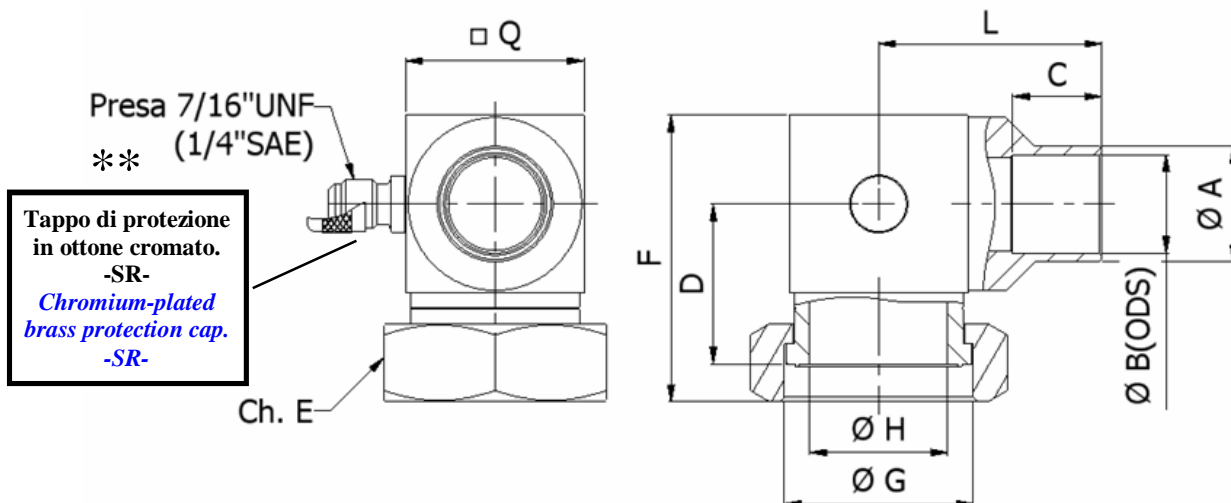
\*\*Attacco di carica 1/4"Flare/Sae con filettatura interna per valvola Schrader,non escludibile in retrochiusura.  
\*\*Charging connection 1/4Flare/Sae with internal threaded for valve Schrader, it isn't possible to exclude when back seated

Applicazioni per refrigerazione e aria condizionata / Application for refrigeration and air conditioning

Prodotti secondo - Direttiva PED 2014/68/UE . / Products according to - 2014/68/EU Directive PED.

Trattamento antiossidante di Nichelatura / Anti-oxidatio Nickel treatment.

La ditta allo scopo di migliorare la propria produzione si riserva il diritto di apportare modifiche senza preavviso / The company to improve production reserves the right of modifying without notice.



È POSSIBILE FARE RICHIESTE  
SPECIALI /  
SPECIAL REQUEST ARE  
POSSIBLE

VALVOLE FORNITE SENZA  
MECCANISMO SCHRADER /  
VALVES SUPPLIED WITHOUT  
MECHANISM SCHRADER

	TIPO / TYPE	ATTACCO ØG CON- NECTION ØG	ØB ODS (mm)	ØB ODS (inches)	ØA	C	D	Ch.E	F	ØH	Q	L
	AR020/FC1/D/SR	ROTALOCK 1-1/4"	28	/	32	20	24	36	49	19	28	48
ART.4	AR030/FC1/D/SR	ROTALOCK 1-3/4"	28	/	33	25	31.5	50	59.5	27.5	35	47.5
PAR.3	AR030/FS6/D/SR	ROTALOCK 1-3/4"	22	/	26	20	27	50	62.5	31	40	50
CAT.1	AR030/FC8/D/SR	ROTALOCK 1-3/4"	35	1-3/8"	39	25	32	50	62.5	31	40	59

\*\*Attacco di carica 1/4"Flare/Sae con filettatura interna per valvola Schrader, non escludibile in retrochiusura.

\*\*Charging connection 1/4"Flare/Sae with internal threaded for valve Schrader, it isn't possible to exclude when back seated

Applicazioni per refrigerazione e aria condizionata / Application for refrigeration and air conditioning

Prodotti secondo - Direttiva PED 2014/68/UE . / Products according to - 2014/68/EU Directive PED.

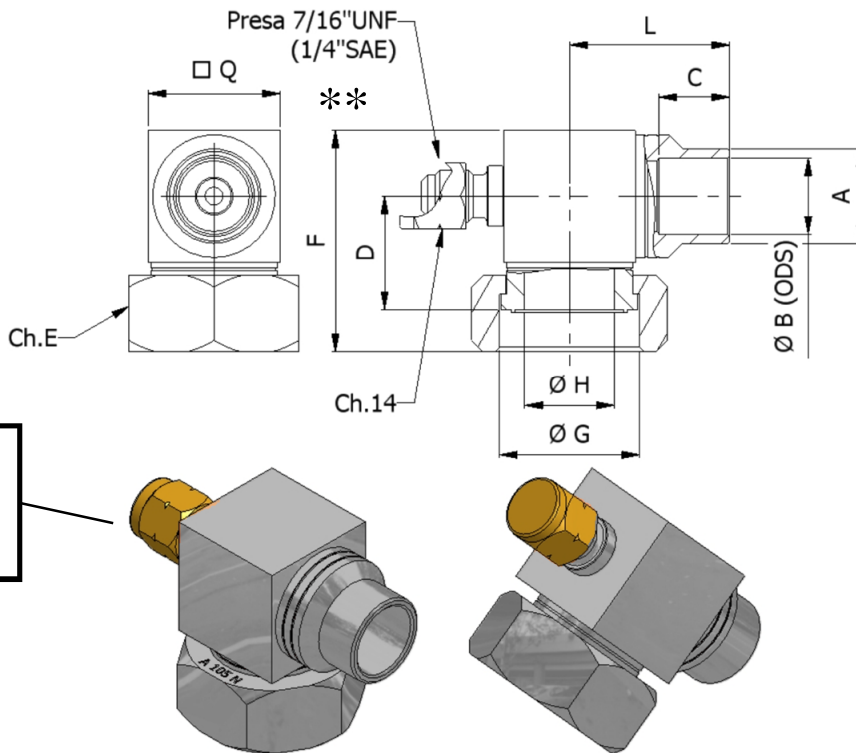
Trattamento antiossidante di Nichelatura / Anti-oxidatio Nickel treatment.

È POSSIBILE FARE RICHIESTE  
SPECIALI /  
SPECIAL REQUEST ARE  
POSSIBLE

VALVOLE FORNITE SENZA  
MECCANISMO SCHRADER /  
VALVES SUPPLIED WITHOUT  
MECHANISM SCHRADER

Tappo di tenuta  
in ottone.

Sealing brass plug



	TIPO/TYPE	ATTACCO ØG CON- NECTION ØG	ØB ODS (mm)	ØB ODS (inches)	ØA	C	D	Ch.E	F	ØH	Q	L
ART.4 PAR.3	AR000/FA4/C	ROVALOCK 3/4"	8	5/16"	12	10	19.5	22	39	8	20	22
	AR000/FA5/C	ROVALOCK 3/4"	/	3/8"	13	10	19.5	22	39	8	20	22
	AR000/FA6/C	ROVALOCK 3/4"	10	/	13	10	19.5	22	39	8	20	22
	AR000/FA7/C	ROVALOCK 3/4"	12	/	16	10	19.5	22	39	8	20	22
	AR000/FA8/C	ROVALOCK 3/4"	/	1/2"	17	10	19.5	22	39	8	20	22
	AR010/FA4/C	ROVALOCK 1"	8	5/16"	12	10	20	30	39.5	12	20	24
	AR010/FA5/C	ROVALOCK 1"	/	3/8"	13	10	20	30	39.5	12	20	24
	AR010/FA6/C	ROVALOCK 1"	10	/	13	10	20	30	39.5	12	20	24
	AR010/FA7/C	ROVALOCK 1"	12	/	16	10	20	30	39.5	12	20	24
	AR010/FA8/C	ROVALOCK 1"	/	1/2"	17	10	20	30	39.5	12	20	24
	AR010/FB2/C	ROVALOCK 1"	16	5/8"	20	15	21	30	41.5	13.5	22	29
	AR010/FB3/C	ROVALOCK 1"	18	/	21.6	15	21	30	41.5	13.5	22	29
	AR010/FB4/C	ROVALOCK 1"	/	3/4"	23	15	21	30	42	13.5	22	29
	AR010/FB6/C	ROVALOCK 1"	22	/	26	20	24	30	48	13.5	28	35.5
	AR020/FB2/C	ROVALOCK 1-1/4"	16	5/8"	20	15	24	36	44	14	22	29
	AR020/FB3/C	ROVALOCK 1-1/4"	18	/	21.6	15	24	36	44	14	22	29
	AR020/FS2/C	ROVALOCK 1-1/4"	16	5/8"	20	15	24	36	47	19	28	34
	AR020/FB4/C	ROVALOCK 1-1/4"	/	3/4"	23	20	24	36	47	19	28	38
AR020/FB6/C	ROVALOCK 1-1/4"	22	/	26	20	24	36	47	19	28	38	
AR020/FB7/C	ROVALOCK 1-1/4"	/	7/8"	26	20	24	36	47	19	28	38	
AR020/FC1/C	ROVALOCK 1-1/4"	28	/	32	20	24	36	49	19	28	48	
AR020/FC2/C	ROVALOCK 1-1/4"	/	1-1/8"	33	20	24	36	49	19	28	48	
CAT.1	AR030/FB6/C	ROVALOCK 1-3/4"	22	/	26	20	27	50	51.5	19	28	38
	AR030/FB7/C	ROVALOCK 1-3/4"	/	7/8"	26	20	27	50	51.5	19	28	38
	AR030/FC1/C	ROVALOCK 1-3/4"	28	/	33	25	31.5	50	59.5	27.5	35	47.5
	AR030/FC2/C	ROVALOCK 1-3/4"	/	1-1/8"	33	25	31.5	50	59.5	27.5	35	47.5
	AR030/FC8/C	ROVALOCK 1-3/4"	35	1-3/8"	39	25	32	50	62.5	31	40	59
	AR030/FD1/C	ROVALOCK 1-3/4"	/	1-5/8"	47	25	32	50	66	31	40	59
	AR030/FD2/C	ROVALOCK 1-3/4"	42	/	47	25	32	50	66	31	40	59
	AR040/FC8/C	ROVALOCK 2-1/4"	35	1-3/8"	39	25	37	65	69	31	40	59
	AR040/FD1/C	ROVALOCK 2-1/4"	/	1-5/8"	46	25	39	65	76	40	50	64
	AR040/FD2/C	ROVALOCK 2-1/4"	42	/	46	25	39	65	76	40	50	64
AR040/FD7/C	ROVALOCK 2-1/4"	54	2-1/8"	59	25	39	65	76	40	50	70	

\*Attacco di carica 1/4" Flare/Sae con filettatura interna per valvola Schrader, non escludibile in retrochiusura.

\*\*Charging connection 1/4" Flare/Sae with internal threaded for valve Schrader, it isn't possible to exclude when back seated

Applicazioni per refrigerazione e aria condizionata / Application for refrigeration and air conditioning

Prodotti secondo - Direttiva PED 2014/68/UE . / Products according to - 2014/68/EU Directive PED.

Trattamento antiossidante di Nichelatura / Anti-oxidatio Nickel treatment.



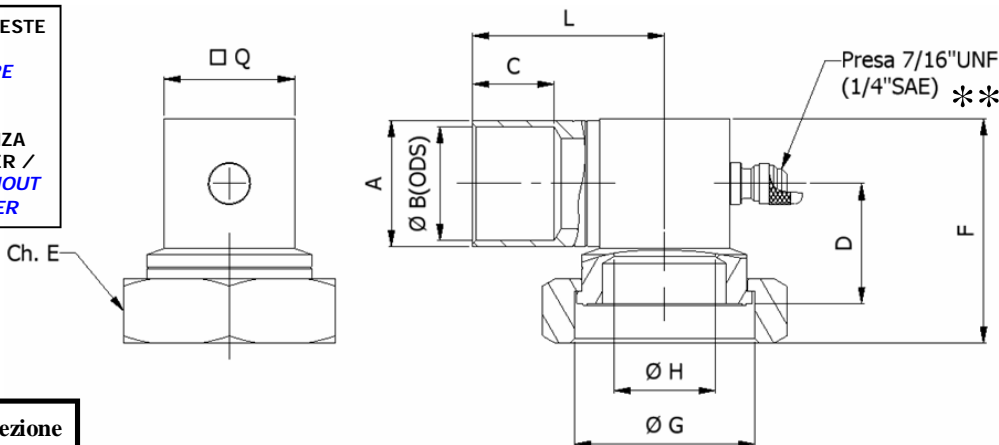
# Raccordi / Adattatori a saldare Rotalock con presa Centrale



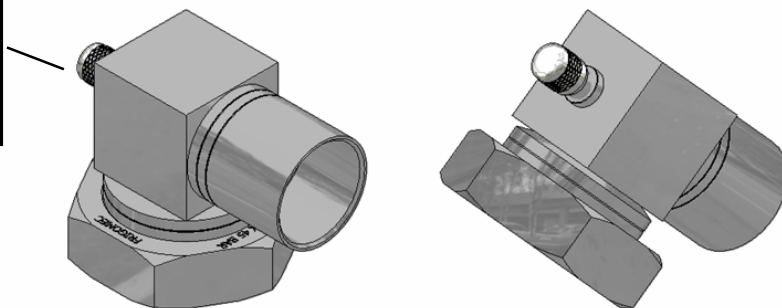
# Connections/soldering Rotalock adapter with Central gauge

È POSSIBILE FARE RICHIESTE SPECIALI /  
SPECIAL REQUEST ARE POSSIBLE

VALVOLE FORNITE SENZA MECCANISMO SCHRADER /  
VALVES SUPPLIED WITHOUT MECHANISM SCHRADER



Tappo di protezione in ottone cromato.  
-SR-  
Chromium-plated brass protection cap.  
-SR-



	TIPO/TYPE	ATTACCO ØG CON- NECTION ØG	ØB ODS (mm)	ØB ODS (inches)	ØA	C	D	Ch.E	F	ØH	Q	L
ART.4 PAR.3	AR000/FA4/C/SR	ROVALOCK 3/4"	8	5/16"	12	10	19.5	22	39	8	20	22
	AR000/FA5/C/SR	ROVALOCK 3/4"	/	3/8"	13	10	19.5	22	39	8	20	22
	AR000/FA6/C/SR	ROVALOCK 3/4"	10	/	13	10	19.5	22	39	8	20	22
	AR000/FA7/C/SR	ROVALOCK 3/4"	12	/	16	10	19.5	22	39	8	20	22
	AR000/FA8/C/SR	ROVALOCK 3/4"	/	1/2"	17	10	19.5	22	39	8	20	22
	AR010/FA4/C/SR	ROVALOCK 1"	8	5/16"	12	10	20	30	39.5	12	20	24
	AR010/FA5/C/SR	ROVALOCK 1"	/	3/8"	13	10	20	30	39.5	12	20	24
	AR010/FA6/C/SR	ROVALOCK 1"	10	/	13	10	20	30	39.5	12	20	24
	AR010/FA7/C/SR	ROVALOCK 1"	12	/	16	10	20	30	39.5	12	20	24
	AR010/FA8/C/SR	ROVALOCK 1"	/	1/2"	17	10	20	30	39.5	12	20	24
	AR010/FB2/C/SR	ROVALOCK 1"	16	5/8"	20	15	21	30	41.5	13.5	22	29
	AR010/FB3/C/SR	ROVALOCK 1"	18	/	21.6	15	21	30	42	13.5	22	29
	AR010/FB4/C/SR	ROVALOCK 1"	/	3/4"	23	15	21	30	42	13.5	22	35.5
	AR020/FB2/C/SR	ROVALOCK 1-1/4"	16	5/8"	20	15	24	36	44	14	22	29
	AR020/FB3/C/SR	ROVALOCK 1-1/4"	18	/	21.6	15	24	36	44	14	22	29
	AR020/FS2/C/SR	ROVALOCK 1-1/4"	16	5/8"	20	15	24	36	47	19	28	34
	AR020/FB4/C/SR	ROVALOCK 1-1/4"	/	3/4"	23	20	24	36	47	19	28	38
	AR020/FB6/C/SR	ROVALOCK 1-1/4"	22	/	26	20	24	36	47	19	28	38
	AR020/FB7/C/SR	ROVALOCK 1-1/4"	/	7/8"	26	20	24	36	47	19	28	38
	AR020/FC1/C/SR	ROVALOCK 1-1/4"	28	/	32	20	24	36	49	19	28	48
AR020/FC2/C/SR	ROVALOCK 1-1/4"	/	1-1/8"	33	20	24	36	49	19	28	48	
AR030/FB6/C/SR	ROVALOCK 1-3/4"	22	/	26	20	31	50	51.5	19	28	41	
AR030/FB7/C/SR	ROVALOCK 1-3/4"	/	7/8"	26	20	31	50	51.5	19	28	41	
AR030/FC1/C/SR	ROVALOCK 1-3/4"	28	/	33	25	33	50	61.5	27.5	35	47.5	
AR030/FC2/C/SR	ROVALOCK 1-3/4"	/	1-1/8"	33	25	33	50	61.5	27.5	35	47.5	
AR030/FC8/C/SR	ROVALOCK 1-3/4"	35	1-3/8"	39	25	32	50	65	31	40	59	
AR030/FD1/C/SR	ROVALOCK 1-3/4"	/	1-5/8"	47	25	32	50	71.5	31	40	59	
AR030/FD2/C/SR	ROVALOCK 1-3/4"	42	/	47	25	32	50	71.5	31	40	59	
CAT.1	AR040/FC8/C/SR	ROVALOCK 2-1/4"	35	1-3/8"	39	25	37	65	69	31	40	59
	AR040/FD1/C/SR	ROVALOCK 2-1/4"	/	1-5/8"	46	25	39	65	76	40	50	64
	AR040/FD2/C/SR	ROVALOCK 2-1/4"	42	/	46	25	39	65	76	40	50	64
	AR040/FD7/C/SR	ROVALOCK 2-1/4"	54	2-1/8"	59	25	39	65	76	40	50	70

\*\*Attacco di carica 1/4" Flare/Sae con filettatura interna per valvola Schrader, non escludibile in retrochiusura.

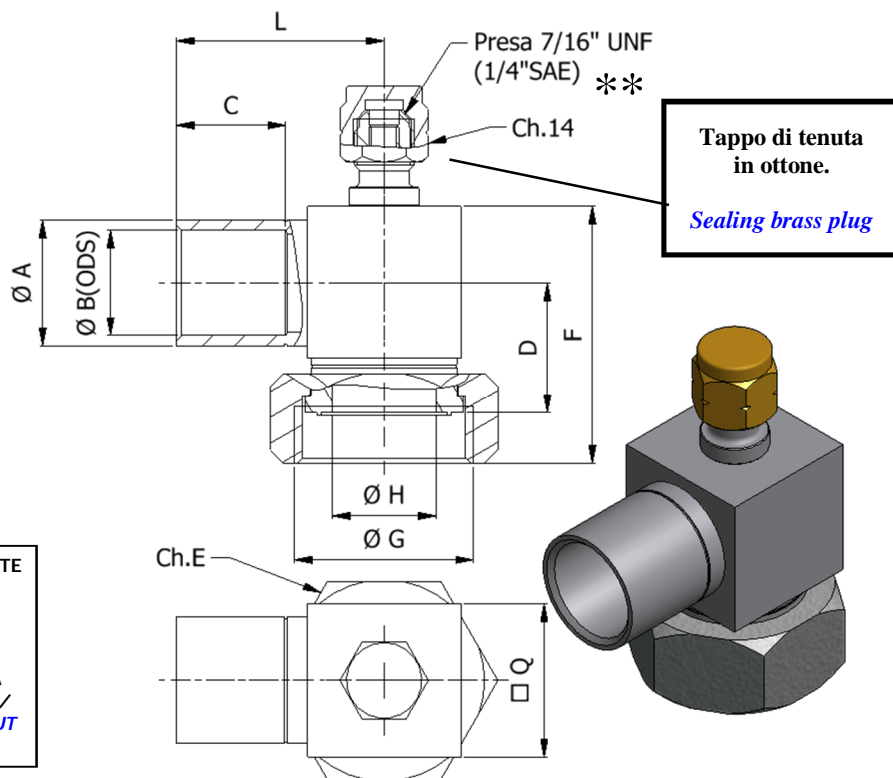
\*\*Charging connection 1/4" Flare/Sae with internal threaded for valve Schrader, it isn't possible to exclude when back seated

Applicazioni per refrigerazione e aria condizionata / Application for refrigeration and air conditioning

Prodotti secondo - Direttiva PED 2014/68/UE . / Products according to - 2014/68/EU Directive PED.

Trattamento antiossidante di Nichelatura / Anti-oxidatio Nickel treatment.

La ditta allo scopo di migliorare la propria produzione si riserva il diritto di apportare modifiche senza preavviso / The company to improve production reserves the right of modifying without notice.



È POSSIBILE FARE RICHIESTE SPECIALI /  
**SPECIAL REQUEST ARE POSSIBLE**

VALVOLE FORNITE SENZA MECCANISMO SCHRADER /  
**VALVES SUPPLIED WITHOUT MECHANISM SCHRADER**

	TIPO/TYPE	ATTACCO ØG CON- NECTION ØG	ØB ODS (mm)	ØB ODS (inches)	ØA	C	D	Ch.E	F	ØH	Q	L
ART.4 PAR.3	AR000/FA4/H	ROVALOCK 3/4"	8	5/16"	12	10	19.5	22	39	8	20	22
	AR000/FA5/H	ROVALOCK 3/4"	/	3/8"	13	10	19.5	22	39	8	20	22
	AR000/FA6/H	ROVALOCK 3/4"	10	/	13	10	19.5	22	39	8	20	22
	AR000/FA7/H	ROVALOCK 3/4"	12	/	16	10	19.5	22	39	8	20	22
	AR000/FA8/H	ROVALOCK 3/4"	/	1/2"	17	10	19.5	22	39	8	20	22
	AR010/FA4/H	ROVALOCK 1"	8	5/16"	12	10	20	30	39.5	12	20	24
	AR010/FA5/H	ROVALOCK 1"	/	3/8"	13	10	20	30	39.5	12	20	24
	AR010/FA6/H	ROVALOCK 1"	10	/	13	10	20	30	39.5	12	20	24
	AR010/FA7/H	ROVALOCK 1"	12	/	16	10	20	30	39.5	12	20	24
	AR010/FA8/H	ROVALOCK 1"	/	1/2"	17	10	20	30	39.5	12	20	24
	AR010/FB2/H	ROVALOCK 1"	16	5/8"	20	15	21	30	41.5	13.5	22	29
	AR010/FB3/H	ROVALOCK 1"	18	/	21.6	15	21	30	42	13.5	22	29
	AR010/FB4/H	ROVALOCK 1"	/	3/4"	23	15	21	30	42	13.5	22	35.5
	AR020/FB2/H	ROVALOCK 1-1/4"	16	5/8"	20	15	24	36	44	14	22	29
	AR020/FB3/H	ROVALOCK 1-1/4"	18	/	21.6	15	24	36	44	14	22	29
	AR020/FB4/H	ROVALOCK 1-1/4"	/	3/4"	23	20	24	36	47	19	28	38
	AR020/FB6/H	ROVALOCK 1-1/4"	22	/	26	20	24	36	47	19	28	38
	AR020/FB7/H	ROVALOCK 1-1/4"	/	7/8"	26	20	24	36	47	19	28	38
AR020/FC1/H	ROVALOCK 1-1/4"	28	/	32	20	24	36	49	19	28	48	
AR020/FC2/H	ROVALOCK 1-1/4"	/	1-1/8"	33	20	24	36	49	19	28	48	
AR030/FB6/H	ROVALOCK 1-3/4"	22	/	26	20	27	50	51.5	19	28	38	
AR030/FB7/H	ROVALOCK 1-3/4"	/	7/8"	26	20	27	50	51.5	19	28	38	
AR030/FC1/H	ROVALOCK 1-3/4"	28	/	33	25	31.5	50	59.5	27.5	35	47.5	
AR030/FC2/H	ROVALOCK 1-3/4"	/	1-1/8"	33	25	31.5	50	59.5	27.5	35	47.5	
AR030/FC8/H	ROVALOCK 1-3/4"	35	/	39	25	32	50	62.5	31	40	59	
AR030/FD1/H	ROVALOCK 1-3/4"	/	1-5/8"	47	25	32	50	66	31	40	59	
AR030/FD2/H	ROVALOCK 1-3/4"	42	/	47	25	32	50	66	31	40	59	
CAT.1	AR040/FC8/H	ROVALOCK 2-1/4"	35	1-3/8"	39	25	37	65	69	31	40	59
	AR040/FD1/H	ROVALOCK 2-1/4"	/	1-5/8"	46	25	39	65	76	40	50	64
	AR040/FD2/H	ROVALOCK 2-1/4"	42	/	46	25	39	65	76	40	50	64
	AR040/FD7/H	ROVALOCK 2-1/4"	54	2-1/8"	59	25	39	65	76	40	50	70

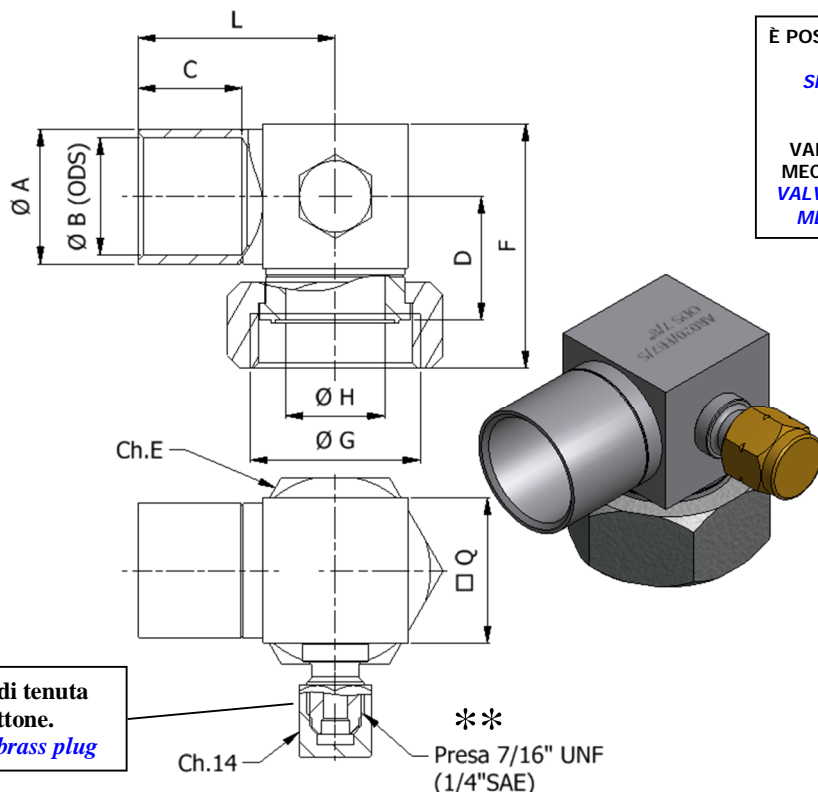
\*\*Attacco di carica 1/4" Flare/Sae con filettatura interna per valvola Schrader, non escludibile in retrochiusura.

\*\*Charging connection 1/4" Flare/Sae with internal threaded for valve Schrader, it isn't possible to exclude when back seated

Applicazioni per refrigerazione e aria condizionata / Application for refrigeration and air conditioning

Prodotti secondo - Direttiva PED 2014/68/UE . / Products according to - 2014/68/EU Directive PED.

Trattamento antiossidante di Nichelatura / Anti-oxidatio Nickel treatment.



È POSSIBILE FARE RICHIESTE SPECIALI /  
SPECIAL REQUEST ARE POSSIBLE

VALVOLE FORNITE SENZA MECCANISMO SCHRADER /  
VALVES SUPPLIED WITHOUT MECHANISM SCHRADER

	TIPO/TYPE	ATTACCO ØG CON- NECTION ØG	ØB ODS (mm)	ØB ODS (inches)	ØA	C	D	Ch.E	F	ØH	Q	L
ART.4 PAR.3	AR000/FA4/S	ROTALOCK 3/4"	8	5/16"	12	10	19.5	22	39	8	20	22
	AR000/FA5/S	ROTALOCK 3/4"	/	3/8"	13	10	19.5	22	39	8	20	22
	AR000/FA6/S	ROTALOCK 3/4"	10	/	13	10	19.5	22	39	8	20	22
	AR000/FA7/S	ROTALOCK 3/4"	12	/	16	10	19.5	22	39	8	20	22
	AR000/FA8/S	ROTALOCK 3/4"	/	1/2"	17	10	19.5	22	39	8	20	22
	AR010/FA4/S	ROTALOCK 1"	8	5/16"	12	10	20	30	39.5	12	20	24
	AR010/FA5/S	ROTALOCK 1"	/	3/8"	13	10	20	30	39.5	12	20	24
	AR010/FA6/S	ROTALOCK 1"	10	/	13	10	20	30	39.5	12	20	24
	AR010/FA7/S	ROTALOCK 1"	12	/	16	10	20	30	39.5	12	20	24
	AR010/FA8/S	ROTALOCK 1"	/	1/2"	17	10	20	30	39.5	12	20	24
	AR010/FB2/S	ROTALOCK 1"	16	5/8"	20	15	21	30	41.5	13.5	22	29
	AR010/FB3/S	ROTALOCK 1"	18	/	21.6	15	21	30	42	13.5	22	29
	AR010/FB4/S	ROTALOCK 1"	/	3/4"	23	15	21	30	42	13.5	22	35.5
	AR020/FB2/S	ROTALOCK 1-1/4"	16	5/8"	20	15	24	36	44	14	22	29
	AR020/FB3/S	ROTALOCK 1-1/4"	18	/	21.6	15	24	36	44	14	22	29
	AR020/FB4/S	ROTALOCK 1-1/4"	/	3/4"	23	20	24	36	47	19	28	38
	AR020/FB6/S	ROTALOCK 1-1/4"	22	/	26	20	24	36	47	19	28	38
	AR020/FB7/S	ROTALOCK 1-1/4"	/	7/8"	26	20	24	36	47	19	28	38
	AR020/FC1/S	ROTALOCK 1-1/4"	28	/	32	20	24	36	49	19	28	48
	AR020/FC2/S	ROTALOCK 1-1/4"	/	1-1/8"	33	20	24	36	49	19	28	48
AR030/FB6/S	ROTALOCK 1-3/4"	22	/	26	20	31	50	51.5	19	28	38	
AR030/FB7/S	ROTALOCK 1-3/4"	/	7/8"	26	20	31	50	51.5	19	28	38	
AR030/FC1/S	ROTALOCK 1-3/4"	28	/	33	25	31.5	50	59.5	27.5	35	47.5	
AR030/FC2/S	ROTALOCK 1-3/4"	/	1-1/8"	33	25	31.5	50	59.5	27.5	35	47.5	
AR030/FC8/S	ROTALOCK 1-3/4"	35	1-3/8"	39	25	32	50	62.5	31	40	59	
AR030/FD1/S	ROTALOCK 1-3/4"	/	1-5/8"	47	25	32	50	66	31	40	59	
AR030/FD2/S	ROTALOCK 1-3/4"	42	/	47	25	32	50	66	31	40	59	
CAT.1	AR040/FC8/S	ROTALOCK 2-1/4"	35	1-3/8"	39	25	37	65	69	31	40	59
	AR040/FD1/S	ROTALOCK 2-1/4"	/	1-5/8"	46	25	39	65	76	40	50	64
	AR040/FD2/S	ROTALOCK 2-1/4"	42	/	46	25	39	65	76	40	50	64
	AR040/FD7/S	ROTALOCK 2-1/4"	54	2-1/8"	59	25	39	65	76	40	50	70

\*\*Attacco di carica 1/4"Flare/Sae con filettatura interna per valvola Schrader,non escludibile in retrochiusura.

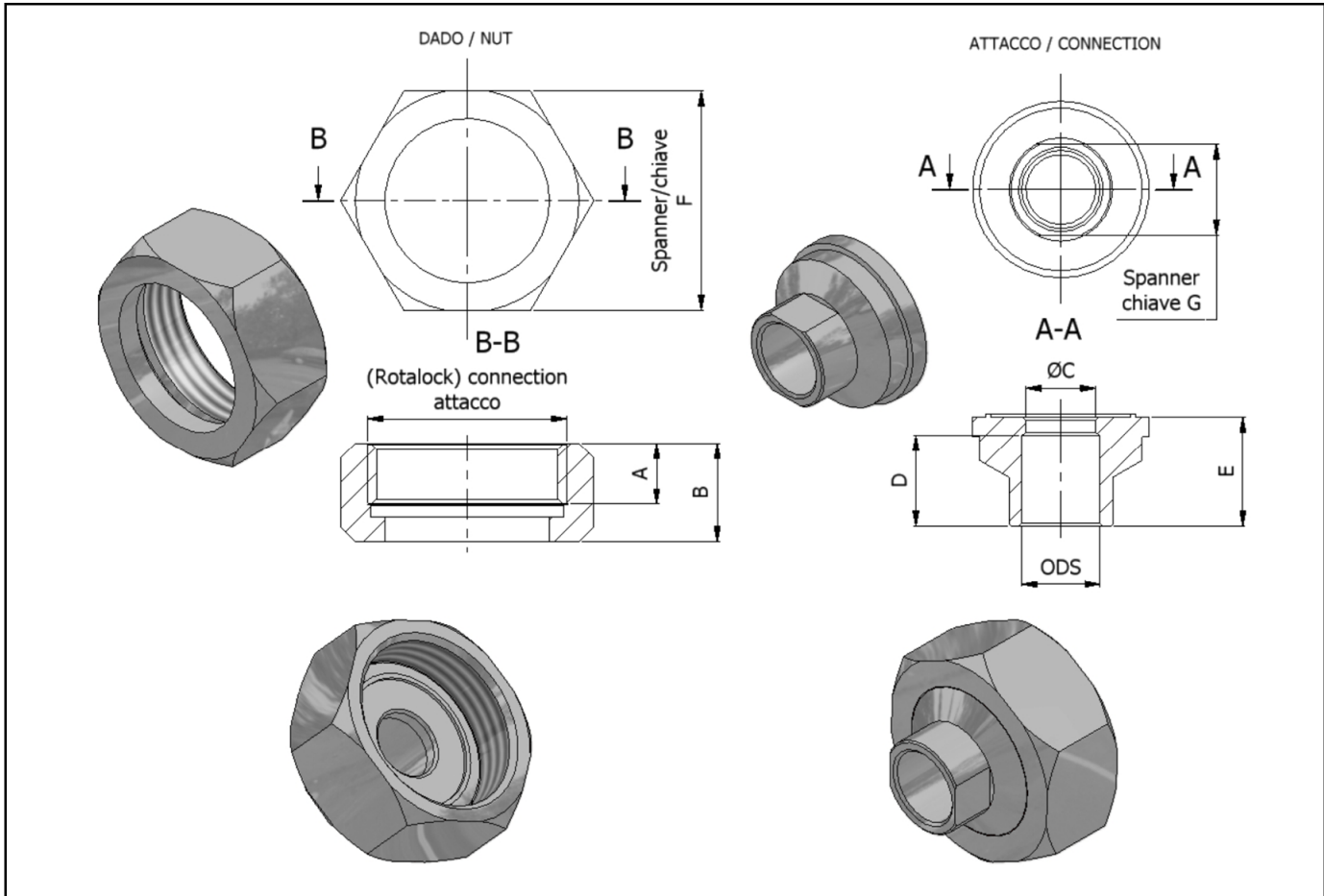
\*\*Charging connection 1/4Flare/Sae with internal threaded for valve Schrader, it isn't possible to exclude when back seated

Applicazioni per refrigerazione e aria condizionata / Application for refrigeration and air conditioning

Prodotti secondo - Direttiva PED 2014/68/UE . / Products according to - 2014/68/EU Directive PED.

Trattamento antiossidante di Nichelatura / Anti-oxidatio Nickel treatment.

La ditta allo scopo di migliorare la propria produzione si riserva il diritto di apportare modifiche senza preavviso / The company to improve production reserves the right of modifying without notice.



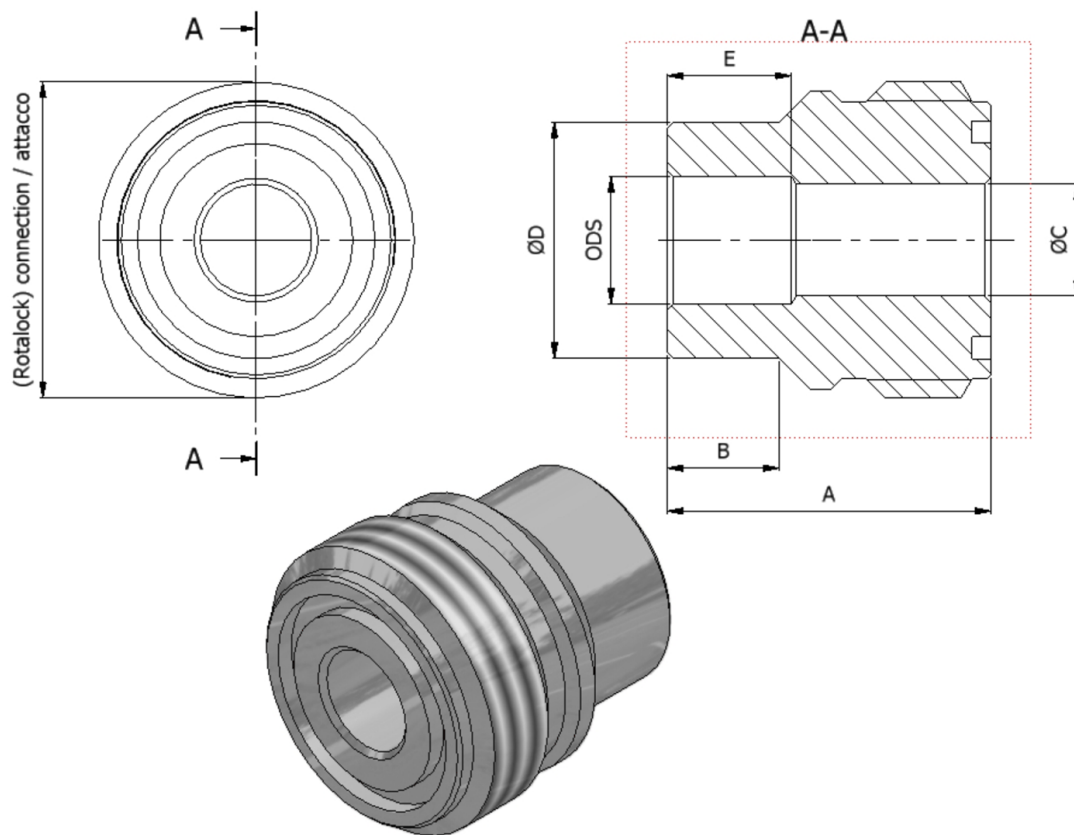
TIPO/TYPE	ATTACCO CONNECTION	ODS (mm)	ODS (inches)	A	B	ØC	D	E	Sp-F	Sp-G
RF000/R2/FA3	ROTALOCK 1"	-	1/4"	10	16	6	14	17	30	10
RF001/R2/FA5	ROTALOCK 1"	-	3/8"	10	16	8.5	14	17	30	13
RF002/R2/FA6	ROTALOCK 1"	10	-	10	16	9.5	14	17	30	13
RF003/R2/FA7	ROTALOCK 1"	12	-	10	16	11.5	14	17	30	15
RF004/R2/FA8	ROTALOCK 1"	-	1/2"	10	16	11.5	14	17	30	15
RF005/R3/FA5	ROTALOCK 1-1/4"	-	3/8"	10	16	8.5	15	18	36	13
RF006/R3/FA8	ROTALOCK 1-1/4"	-	1/2"	10	16	11.5	15	18	36	15
RF007/R3/FB2	ROTALOCK 1-1/4"	16	5/8"	10	16	15.5	15	18	36	19
RF008/R3/FB3	ROTALOCK 1-1/4"	18	-	10	16	17.5	15	18	36	21
RF009/R3/FB4	ROTALOCK 1-1/4"	-	3/4"	10	16	18.5	15	18	36	22
RF010/R4/FB4	ROTALOCK 1-3/4"	-	3/4"	10.5	17.5	18.5	18	23	50	22
RF011/R4/FB6	ROTALOCK 1-3/4"	22	-	10.5	17.5	21.5	18	23	50	25
RF012/R4/FB7	ROTALOCK 1-3/4"	-	7/8"	10.5	17.5	21.5	18	23	50	25
RF013/R4/FC1	ROTALOCK 1-3/4"	28	-	10.5	17.5	27.5	18	23	50	32
RF014/R4/FC2	ROTALOCK 1-3/4"	-	1-1/8"	10.5	17.5	28	18	23	50	32
RF015/R5/FC2	ROTALOCK 2-1/4"	-	1-1/8"	13	20	28	18	28	65	32
RF016/R5/FC8	ROTALOCK 2-1/4"	35	1-3/8"	13	20	34	18	28	65	38
RF017/R5/FD1	ROTALOCK 2-1/4"	-	1-5/8"	13	20	40.5	18	28	65	46

Applicazioni per refrigerazione e aria condizionata / Application for refrigeration and air conditioning

Prodotti secondo - Direttiva PED 2014/68/UE . / Products according to - 2014/68/EU Directive PED.

Trattamento antiossidante di Nichelatura / Anti-oxidatio Nickel treatment.

La ditta allo scopo di migliorare la propria produzione si riserva il diritto di apportare modifiche senza preavviso / The company to improve production reserves the right of modifying without notice.



TIPO/TYPE	ATTACCO CONNEC-TION	ODS (mm)	ODS (inches)	A	B	ØC	ØD	E
NS000/R2/FA6	ROTALOCK 1"	10	-	26	9	9	19	10
NS001/R2/FA7	ROTALOCK 1"	12	-	26	9	10	19	12
NS002/R2/FA8	ROTALOCK 1"	-	1/2"	26	9	10	19	12
NS003/R2/FB2	ROTALOCK 1"	16	5/8"	26	9	13	20	12
NS004/R2/FB3	ROTALOCK 1"	18	-	26	9	13	23	13
NS005/R2/FB4	ROTALOCK 1"	-	3/4"	26	9	13	23	12
NS006/R3/FB3	ROTALOCK 1-1/4"	18	-	32.5	10	16	25.5	16
NS007/R3/FB4	ROTALOCK 1-1/4"	-	3/4"	32.5	10	17	25.5	16
NS008/R3/FB6	ROTALOCK 1-1/4"	22	-	32.5	10	19	25.5	16
NS009/R3/FB7	ROTALOCK 1-1/4"	-	7/8"	32.5	10	19	25.5	16
NS010/R3/FC1	ROTALOCK 1-1/4"	28	/	32.5	10	19	32	10
NS011/R4/FB7	ROTALOCK 1-3/4"	-	7/8"	32.5	10	19	35	20
NS012/R4/FC1	ROTALOCK 1-3/4"	28	-	32.5	10	26	35	20
NS013/R4/FC2	ROTALOCK 1-3/4"	-	1-1/8"	32.5	10	26	35	20
NS014/R4/FC8	ROTALOCK 1-3/4"	35	1-3/8"	32.5	10	31	38	20
NS015/R4/FD2	ROTALOCK 1-3/4"	42	-	32.5	10	31	45	12
NS016/R5/FD1	ROTALOCK 2-1/4"	-	1-5/8"	35	10	40	47	20
NS017/R5/FD2	ROTALOCK 2-1/4"	42	-	35	10	40	47	20
NS018/R5/FD7	ROTALOCK 2-1/4"	54	2-1/8"	35	10	40	62	14

Applicazioni per refrigerazione e aria condizionata / *Application for refrigeration and air conditioning*

Prodotti secondo - Direttiva PED 2014/68/UE . / *Products according to - 2014/68/EU Directive PED.*

**Trattamento antiossidante di Nichelatura / *Anti-oxidatio Nickel treatment.***

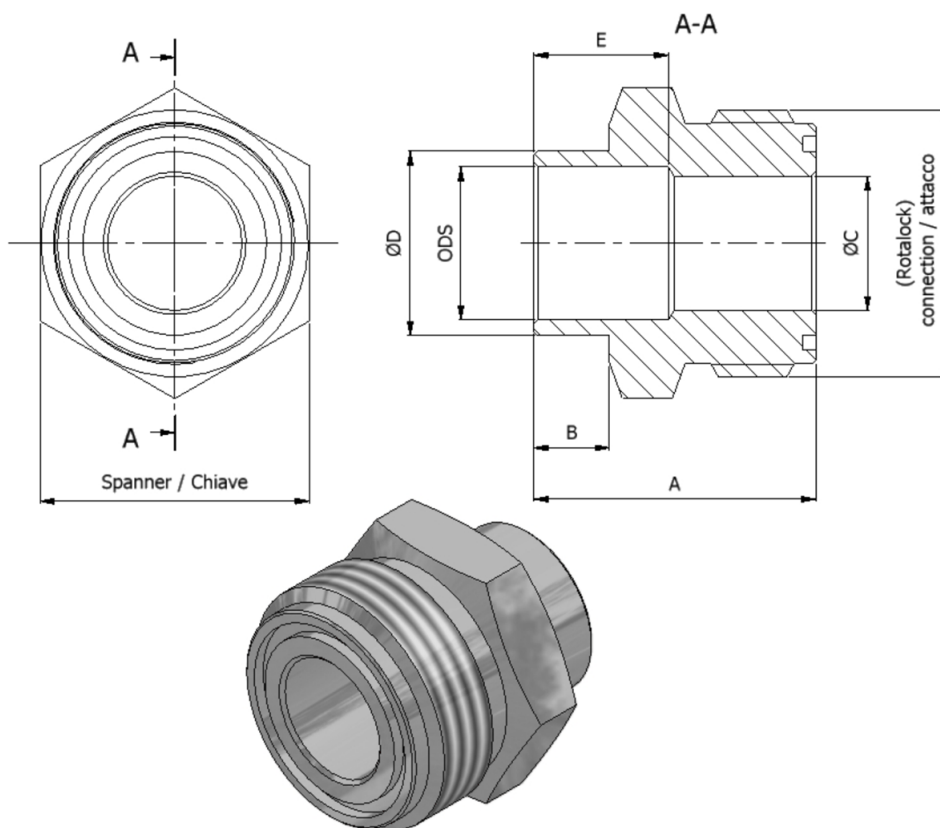
La ditta allo scopo di migliorare la propria produzione si riserva il diritto di apportare modifiche senza preavviso / The company to improve production reserves the right of modifying without notice.



# Raccordi esagonali a saldare Rotalock con tubo ODS



Welding connection  
with tightening nut for Rotalock



TIPO/TYPE	ATTACCO CON- NECTION	ODS (mm)	ODS (inches)	A	B	ØC	ØD	E	CHIAVE SPANNER
RS000/R2/FA6	ROOTALOCK 1"	10	-	26	6	9	14	12	26
RS001/R2/FA7	ROOTALOCK 1"	12	-	26	6	10	16	12	26
RS002/R2/FA8	ROOTALOCK 1"	-	1/2"	26	6	10	16	12	26
RS003/R2/FB2	ROOTALOCK 1"	16	5/8"	26	6	13	20	12	26
RS004/R2/FB3	ROOTALOCK 1"	18	-	26	6	13	22	12	26
RS005/R2/FB4	ROOTALOCK 1"	-	3/4"	26	6	13	23	12	26
RS006/R3/FB3	ROOTALOCK 1-1/4"	18	-	33.5	8	16	22	16	32
RS007/R3/FB4	ROOTALOCK 1-1/4"	-	3/4"	33.5	8	16	23	16	32
RS008/R3/FB6	ROOTALOCK 1-1/4"	22	-	33.5	8	19	26	14	32
RS009/R3/FB7	ROOTALOCK 1-1/4"	-	7/8"	33.5	8	19	26	14	32
RS010/R3/FC1	ROOTALOCK 1-1/4"	28	/	33.5	8	19	31.5	14	32
RS011/R4/FB7	ROOTALOCK 1-3/4"	-	7/8"	33.5	8	21	27	20	46
RS012/R4/FC1	ROOTALOCK 1-3/4"	28	-	33.5	8	26	33	20	46
RS013/R4/FC2	ROOTALOCK 1-3/4"	-	1-1/8"	33.5	8	26	34	20	46
RS014/R4/FC8	ROOTALOCK 1-3/4"	35	1-3/8"	33.5	8	31	40	20	46
RS015/R4/FD2	ROOTALOCK 1-3/4"	42	-	40	8	31	47	20	50
RS016/R5/FD1	ROOTALOCK 2-1/4"	-	1-5/8"	50	15	40	47	20	65
RS017/R5/FD2	ROOTALOCK 2-1/4"	42	-	50	15	41	47	20	65
RS018/R5/FD7	ROOTALOCK 2-1/4"	54	2-1/8"	50	15	41	59	20	65

Applicazioni per refrigerazione e aria condizionata / *Application for refrigeration and air conditioning*

Prodotti secondo - Direttiva PED 2014/68/UE . / *Products according to - 2014/68/EU Directive PED.*

**Trattamento antiossidante di Nichelatura / *Anti-oxidatio Nickel treatment.***

La ditta allo scopo di migliorare la propria produzione si riserva il diritto di apportare modifiche senza preavviso / The company to improve production reserves the right of modifying without notice.

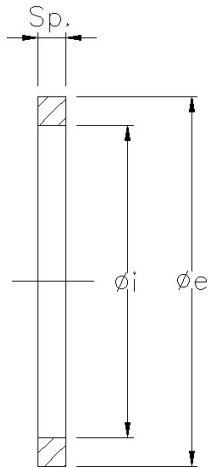
Guarnizioni in PTFE per attacchi  
Rotalock e tappi di chiusura  
con guarnizione



PTFE gaskets for Rotalock connections  
and closed plugs with gasket

E' possibile su richiesta  
acquistare valvole comple-  
te di guarnizione  
PTFE

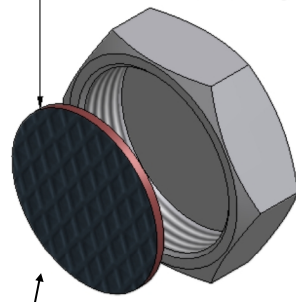
*It is possible on request  
purchase valves complete  
with the PTFE gasket*



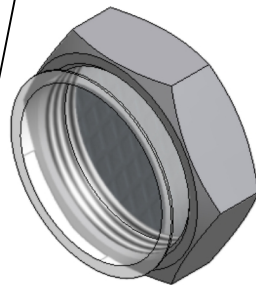
TIPO / TYPE	PER ATTACCO ROTO-LOCK / FOR CON- NECTION	Sp.	Øi	Øe
G000/R1	ROVALOCK 3/4"-16UNF	1,5	11	14,3
G000/R2	ROVALOCK 1"-14UNS	1,5	15,8	19,1
G000/R3	ROVALOCK 1-1/4"-12UNF	1,5	22,1	25,4
G000/R4	ROVALOCK 1-3/4"-12UN	1,5	34,8	38,1
G000/R5	ROVALOCK 2-1/4"-12UN	1,5	46,95	50,9

Montaggio / Assembly:

Lato ruvido con grafite esterna  
*Knurled side with outside graphite*

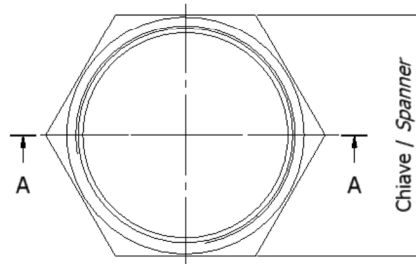
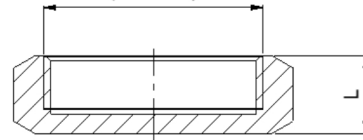


Oliare leggermente entrambe i lati  
*Sightly oil both sides*



A-A

Attacco / Connection  
(Rotalock)



TIPO / TYPE	ATTACCO / CONNECTION	L	CHIAVE / SPAN- NER	FORZA DI SERR. Momento (Nm) / TORQUE WRENCH SETTING (Nm)
TRG-0	ROVALOCK 3/4"-16 UNF	12	22	30
TRG-1	ROVALOCK 1"-14 UNS	12,5	30	40 - 45
TRG-5	ROVALOCK 1"-1/4-12 UNF	15	36	45 - 50
TRG-7	ROVALOCK 1"-3/4-12 UN	16	50	120 - 130
TRG-9	ROVALOCK 2"-1/4-12 UN	20	65	140 - 150

Applicazioni per refrigerazione e aria condizionata / *Application for refrigeration and air conditioning*

Prodotti secondo - Direttiva PED 2014/68/UE . / *Products according to - 2014/68/EU Directive PED.*

**Trattamento antiossidante di Nichelatura / *Anti-oxidatio Nickel treatment.***

La ditta allo scopo di migliorare la propria produzione si riserva il diritto di apportare modifiche senza preavviso / The company to improve production reserves the right of modifying without notice.

**CONDIZIONI GENERALI  
DI VENDITA FRIGOMEC**

**01 - FORNITURA E PREZZI**

Tutte le transazioni per la fornitura di un qualsiasi bene da parte nostra saranno ritenute come concordate esclusivamente in base a queste condizioni generali di vendita. Dai prezzi è sempre esclusa l'I.V.A. e, salvo patti di contratto, l'eventuale imballo e trasporto.

**- VARIAZIONI DI ORDINI E TERMINI DI CONSEGNA**

Ogni ordine può essere variato od annullato dall'acquirente solo per iscritto. Ci riserviamo comunque il diritto di addebitare i costi derivanti da acquisti od impegni di materiale dovuti a tali ordini prima della variazione od annullamento. I termini di consegna, anche se confermati, si intendono sempre salvo imprevisti e hanno carattere puramente indicativo. Se non preventivamente concordato, NON è applicabile alcun tipo di penale per eventuale ritardo di consegna.

**- RESA DELLA MERCE**

Salvo diverso accordo scritto, i prodotti sono resi sempre EX WORKS-Incoterns 2010.

**04 - RECLAMI**

Qualsiasi reclamo deve, sotto pena di decadenza, esserci pro-posto per iscritto entro i termini di legge dal ricevimento della merce. Nel caso di ammanco od avaria, è dovere dell'acquirente fare al vettore, all'atto della consegna, le debite riserve sul documento di trasporto.

**05 - PAGAMENTI E MORA**

Nel caso in cui le ns. condizioni di pagamento non venissero rispettate ci riserviamo di agire per il regolamento del prezzo nonché delle eventuali spese ed interessi di mora calcolati sulla base del tasso bancario passivo in vigore all'atto della scadenza, per il periodo trascorso dalla scadenza della fattura al pagamento effettivo del saldo.

**06 - GARANZIA**

Tutti i prodotti sono garantiti da qualsiasi difetto e/o vizio di costruzione per un periodo di 18 mesi dalla data di consegna, anche se durante tale periodo i prodotti non sono stati messi in servizio. Eventuali prodotti riscontrati difettosi durante il periodo di garanzia dovranno essere resi franco ns. stabilimento di Legnago ove verranno controllati e, a ns. giudizio riparati o sostituiti. La garanzia è esclusa qualora i difetti e/o vizi dei prodotti siano stati determinati dalle seguenti cause:

- naturale usura e deterioramento
- riparazioni o modifiche non espressamente autorizzate
- mancato rispetto di quanto prescritto dalle Istruzioni Operative allegate ai prodotti
- eventuale non conformità dei prodotti a leggi e/o normative, qualora non espressamente richiesta dal Cliente prima o all'atto dell'ordine d'acquisto, riguardanti la costruzione, l'installazione ed eventuale successive verifiche dei prodotti
- qualunque altra causa imputabile a negligenza del cliente

**07 - FORO COMPETENTE**

Per ogni controversia nascente, la legge applicabile è solo la Legge Italiana ed il Foro esclusivamente competente è quello di Verona - ITALIA. Dimensioni, pesi, ed in genere tutti i dati tecnici contenuti in questo catalogo devono intendersi come indicazioni approssimative tenenti conto delle normali tolleranze di fabbricazione. Ci riserviamo il diritto di apportare in qualunque momento e senza preavviso, a tali dati, quelle modifiche non sostanziali che ritenessimo utili e convenienti.

**FRIGOMEC'S GENERAL  
SALE CONDITIONS**

**01 - SUPPLY AND PRICES**

All the transactions for the supply of any of the goods from ourselves will be considered exclusively as subject to these general conditions of sale. Prices do not include V.A.T. and the eventual packing and transport charges, if not differently agreed upon on the contract of sale.

**- VARIATIONS OF ORDERS AND DELIVERY DATES**

Any order may be varied or cancelled by the purchaser only by previous advice in writing. However, we reserve the right of debiting him with the eventual costs involved made in connection with such order and all other losses we incurred due to such variation or cancellation. The delivery times, even if confirmed, are intended to be indicative only and subjected to the clause barring accidents. Unless previously agreed, ANY kind of penalty cannot be applied for a possible delayed delivery.

**- DELIVERY TERMS**

Unless otherwise agreed in writing, goods are always delivered EX-WORKS-Incoterns 2010.

**04 - CLAIMS**

All claims have to be advised us by written notice and, according to the law, within the terms stated from the receipt of the goods, under penalty of failure. In case of damage or loss the purchaser has to make the due reservations to the transport company by remarking that on the carriage note when receiving the goods.

**- PAYMENTS AND DELAYED PAYMENTS**

In the event of not compliance with our payment terms, we reserve the right of claiming for the amount settlement as well as for the additional charges. Delays in transferring payments by the purchaser in respect of the fixed dates will result in interest being applied at the bank annual paid-interest rate in force at that date. It will be calculated on the time elapsed from the expiry date up to the settlement of the balance.

**- WARRANTY**

An eighteen-month validity from the despatch date is applied to all of our products in relation to manufacturing and machining defects, even if such products have not been installed yet. Faulty products noticed during the guarantee period shall be returned to our factory free of charge for us. The equipment will be checked and repaired or replaced according to our judgement. The warranty obligations will not be valid for those defects resulting from:

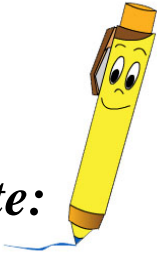
- natural wear and deterioration
- repairs or modifications not expressly approved
- failure to comply with requirements of the Operation Instructions supplied with products
- any non-compliance of the products with laws and/or regulations, if not expressly required by the Customer before or when sending the purchase order, concerning manufacture, installation and any subsequent products check
- any other reason attributable to the negligence of the Customer

**07 - COMPETENT COURT**

Any controversy arising will be regulated by the Italian Law to which these terms in all respects shall be construed and operated in accordance with. The sole competent jurisdiction Court will be the one of Verona - ITALY. Dimensions, weights, and generally all the technical data specified on our catalogue have to be intended as approximate indications compatible with the standard manufacturing tolerances. We reserve the right of modifying such technical data at our convenience, in any moment and without prior notice.



**Note:**



A large area of dotted lines for writing notes.

La ditta allo scopo di migliorare la propria produzione si riserva il diritto di apportare modifiche senza preavviso / The company to improve production reserves the right of modifying without notice.





**Headquarter and Production site 1**  
**Via Massimo D'Antona, 5**  
**37045 S.PIETRO di LEGNAGO (VR) ITALY**  
**Tel.+39-0442-629006 / Fax +39-0442-629091**

**KLIMAL** by  **S.p.A.**

**Production site 2**  
**Via del Commercio, 3**  
**37049 - Italy - VILLA BARTOLOMEA (VR) ITALY**  
**Tel. +39-0442-35637 / Fax +39-0442-35514**



**[www.frigomec.com](http://www.frigomec.com)**  
**E-mail: [info@frigomec.com](mailto:info@frigomec.com)**

