

**HB Products – dedicated to optimal solutions for level measurement and control of oil and refrigerants.**

HB Products is a development-oriented company, which specializes in the development and production of sensors for industrial refrigeration systems. Apart from expertise within oil and refrigerant control, we have great know-how in the design and optimization of industrial refrigeration systems. This knowledge enables us to develop and produce the best sensors!

Since its start more than 25 years ago, HB Products has attained a strong global position. This is the result of our ability to think in terms of new technological solutions, create

For further info and guidance please visit our homepage  
[www.hbproducts.dk](http://www.hbproducts.dk)



**Note:** Before testing and start-up, the sensor must be connected with power supply for a minimum of 24 hours.

## Quick guide

HBGS - NH3 Leakage Sensor



### Functionality:

The HBGS sensor is made to detect NH3 leakage in refrigeration rooms or vent lines from refrigeration rooms. If the leakage sensor is to be used in a different way, prior approval must be obtained from HB Products.

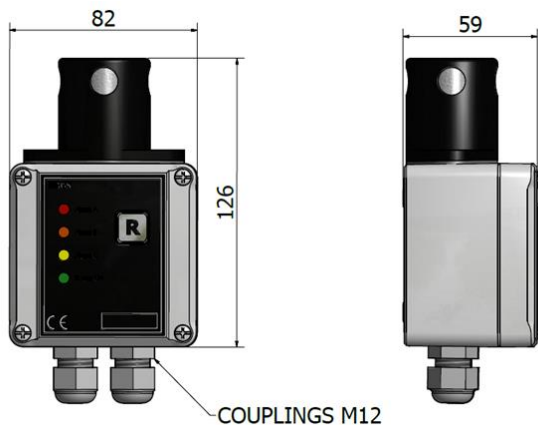
### Download complete manual:

For further information please download the instruction manual from our homepage:  
[www.hbproducts.dk](http://www.hbproducts.dk).

### Caution:

Only qualified personnel should work with the product. The technician must be aware of the consequences of an improperly installed sensor, and must be committed to adhering to the applicable local legislation.

### Mechanical installation



#### Mechanical specifications:

Refrigerant type: R717

Measuring range: 25...500 ppm (alarm programmable by HB-TOOL)

Factory alarm settings: C: 100/B: 250/A: 400ppm.

Ambient temperature: -20...+50°C

Humidity: 0...95 %

Material: PC (Plastic)

Cabinet size: 140x82x59 mm

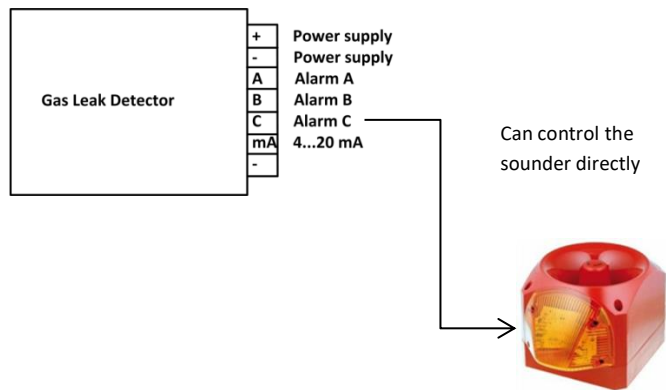
Configuration: With PC and HB configuration tool

Part no. Complete: HBGS-NH3

Part no. Sensor Part: HBGS-NH3-Detect-Unit

Part no. Service kit: HBGS-NH3-ServiceKit

### Electrical installation



#### Electrical specifications:

Enclosure: IP20

Analogue Output: 4...20 mA

Analogue Load: 500 ohm

Digital Output: 3 x PNP, 0,5 A, NO/NC (Default NO)

Voltage supply: 24 V DC – Max load 1.7 A

Indication: 3 x alarm levels and 1 x power (green)

Reset of alarms: By push button "R"

Configuration: With PC and HB configuration tool

Special adaptor and USB Cable is needed to change Configuration